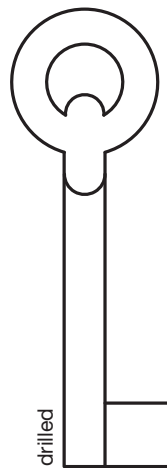
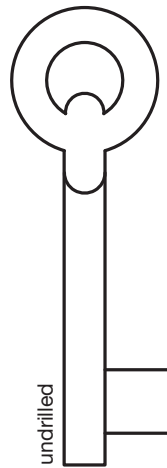
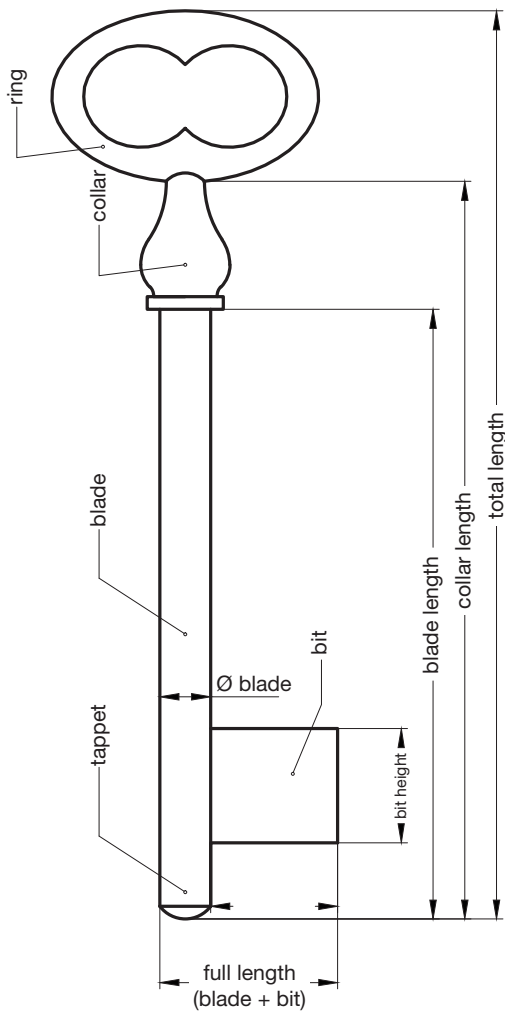




PRODUCT CATALOGUE SPECIAL KEYS 2019

Dimensions and Descriptions



285

Standard Assortment



325

Last Stock



full bit



cut in bit



waved bit



straight bit



warded bit



chubb bit



groove bit

color code: B = burnished ♦ M = brass ♦ N = nickel plated

blade diameter: 6 mm, at z = delicate = 5 mm

The illustrated curves are always seen from the ring and represent the keyhole.

Technical changes under reserve. Shown keys may differ from original sizes.

No liability for mistakes and printing errors.

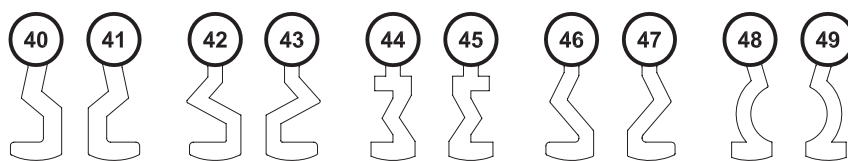
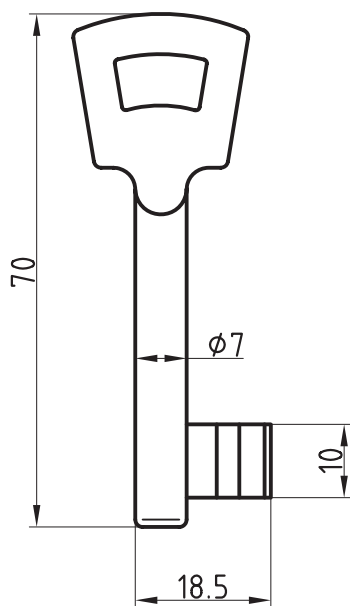
Reprint and reproduction of pages out of this catalogue as well as the use of pictorial material are not allowed without written authorisation of BASI GmbH.

General terms and conditions apply (www.basi.eu).

WARDDED KEYS	from page 04	WARDDED KEYS
CASE LOCK KEYS	from page 14	CASE LOCK KEYS
CHUBB KEYS	from page 16	CHUBB KEYS
FURNITURE KEYS	from page 19	FURNITURE KEYS
LETTERBOX KEYS	from page 29	LETTERBOX KEYS
DRIFT KEYS	from page 30	DRIFT KEYS
CONSTRUCTION KEYS	from page 31	CONSTRUCTION KEYS
SINGLE BIT KEYS	from page 34	SINGLE BIT KEYS
DOUBLE BIT KEYS	from page 44	DOUBLE BIT KEYS
SPECIAL KEYS	from page 61	SPECIAL KEYS
HANDING OVER KEY	from page 62	HANDING OVER KEY
MACHINE TECHNIQUE/DIVERSE	from page 63	MACHINE TECHNIQUE/DIVERSE

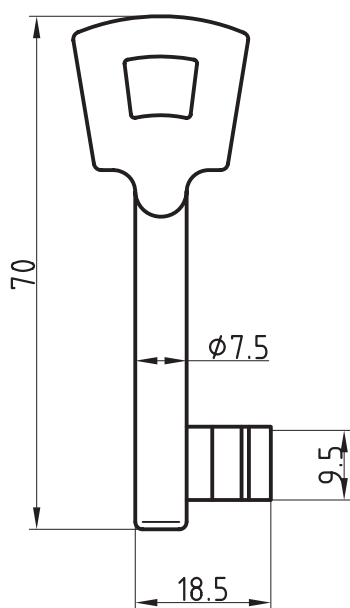
Article-No. 138 - System Pegau

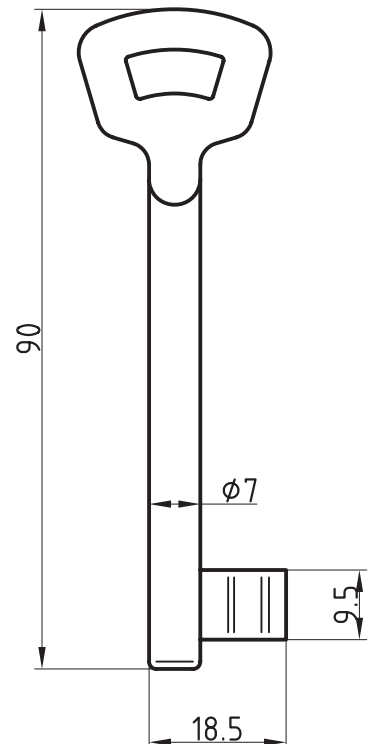
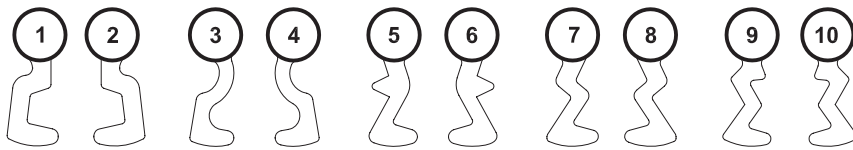
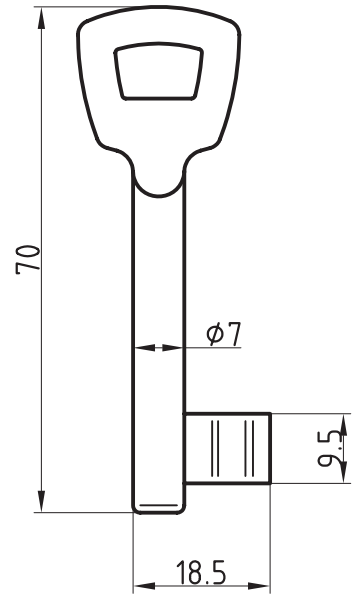
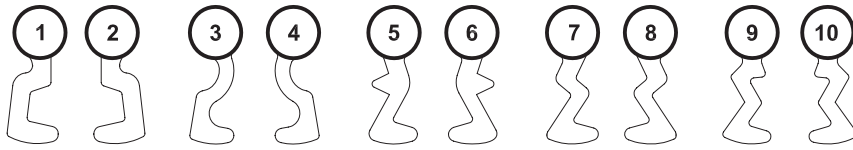
AG 917

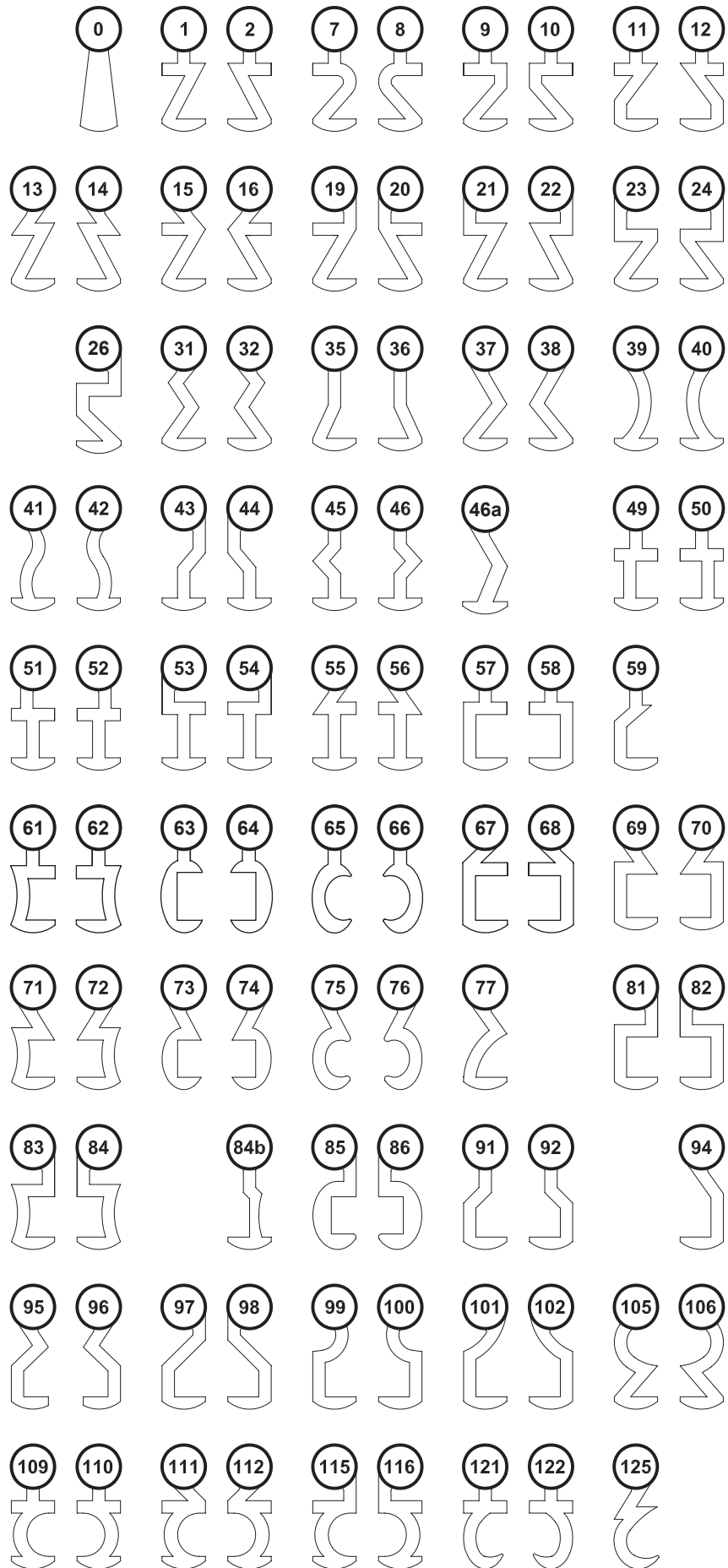
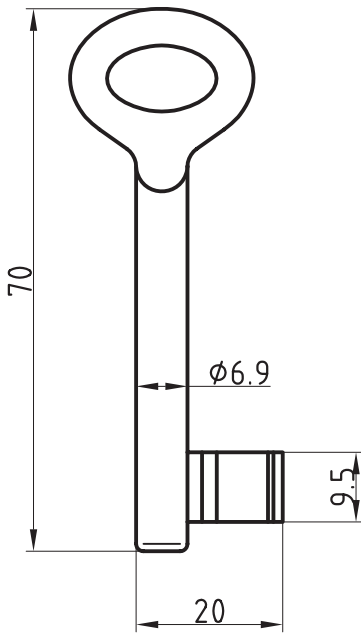


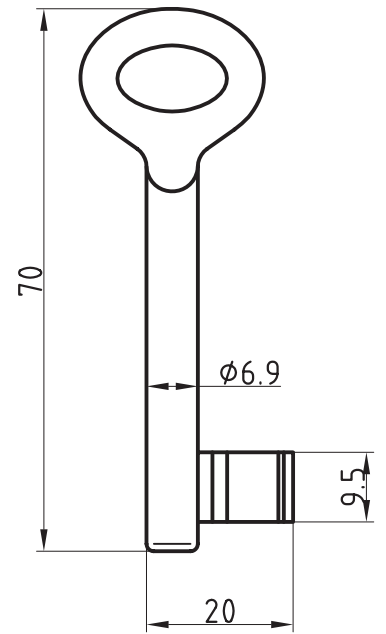
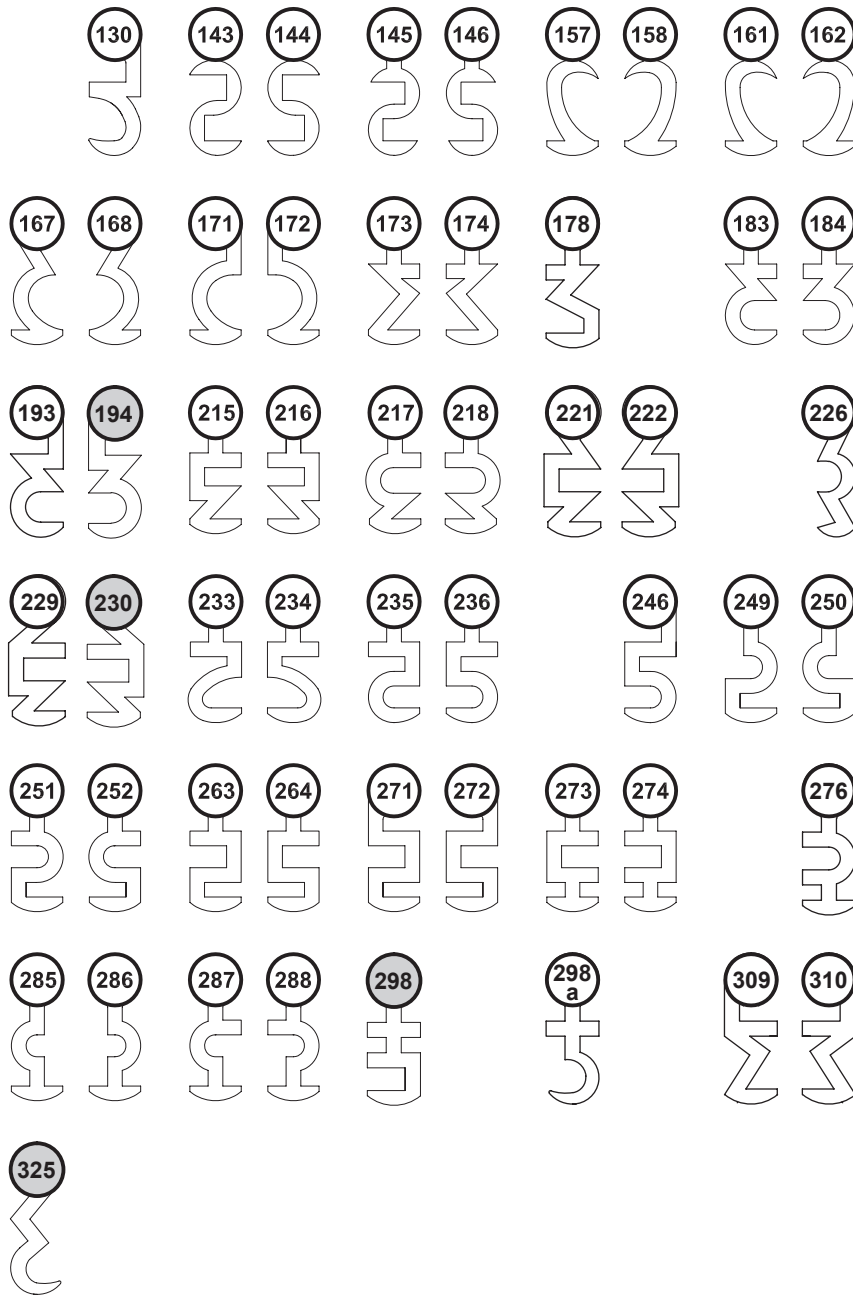
Article-No. 139 - System Novoferm

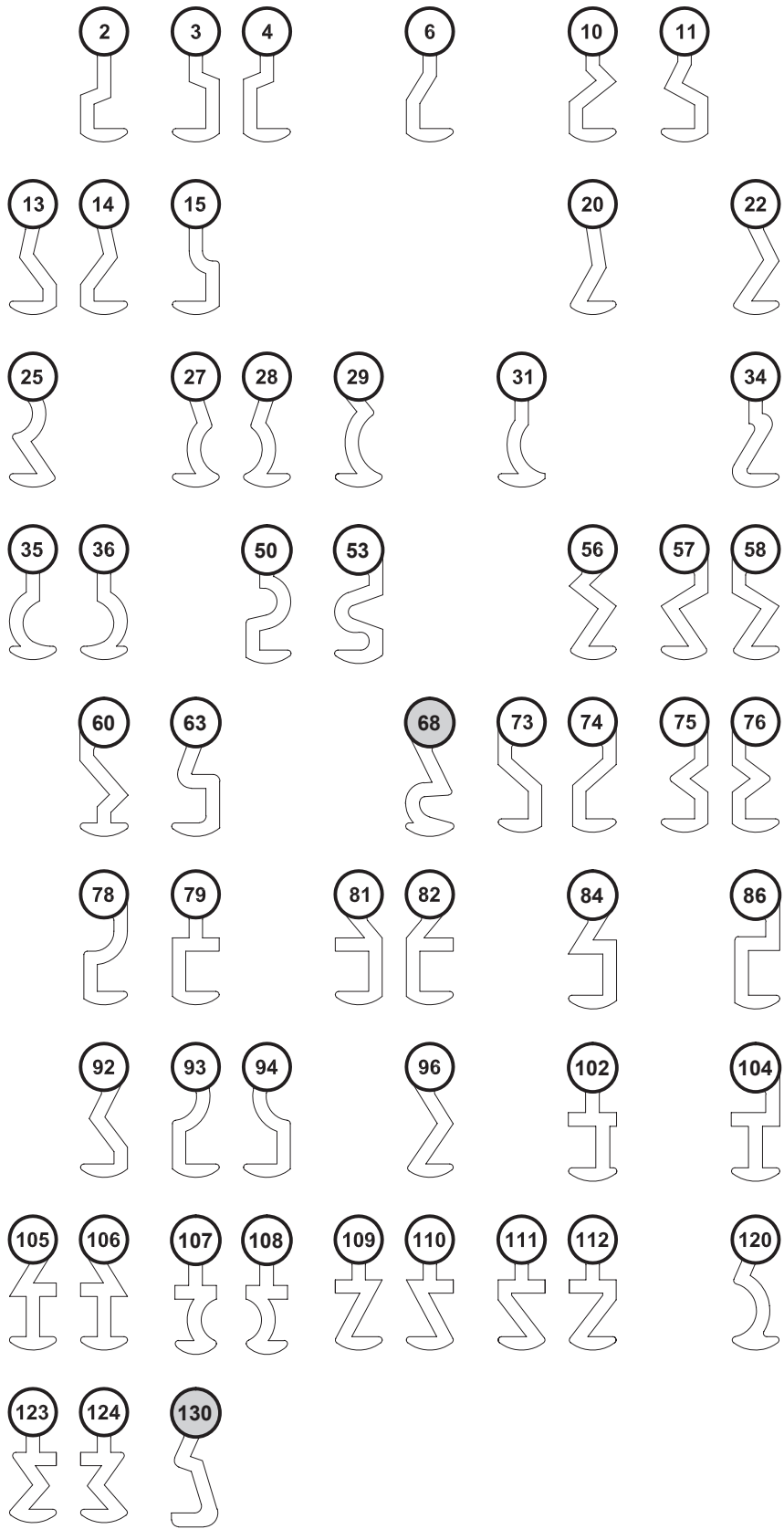
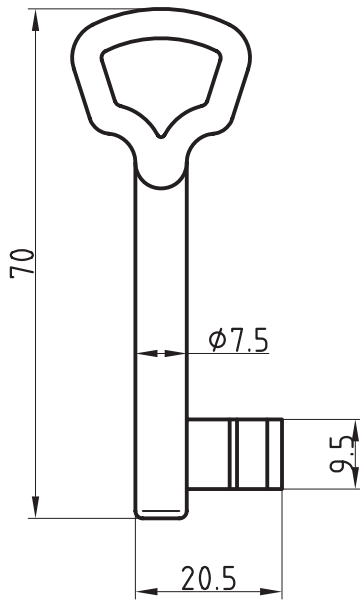
AG 918

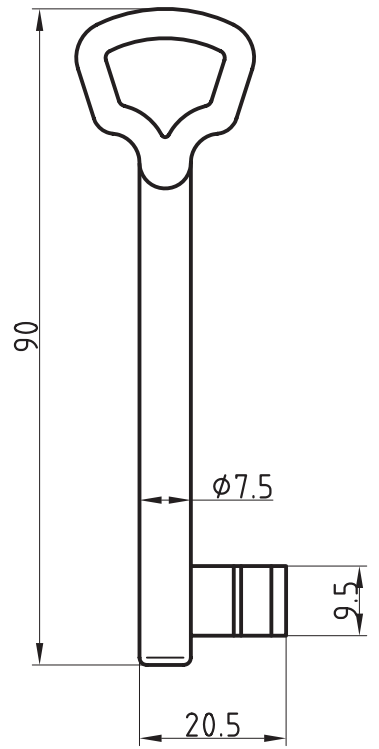
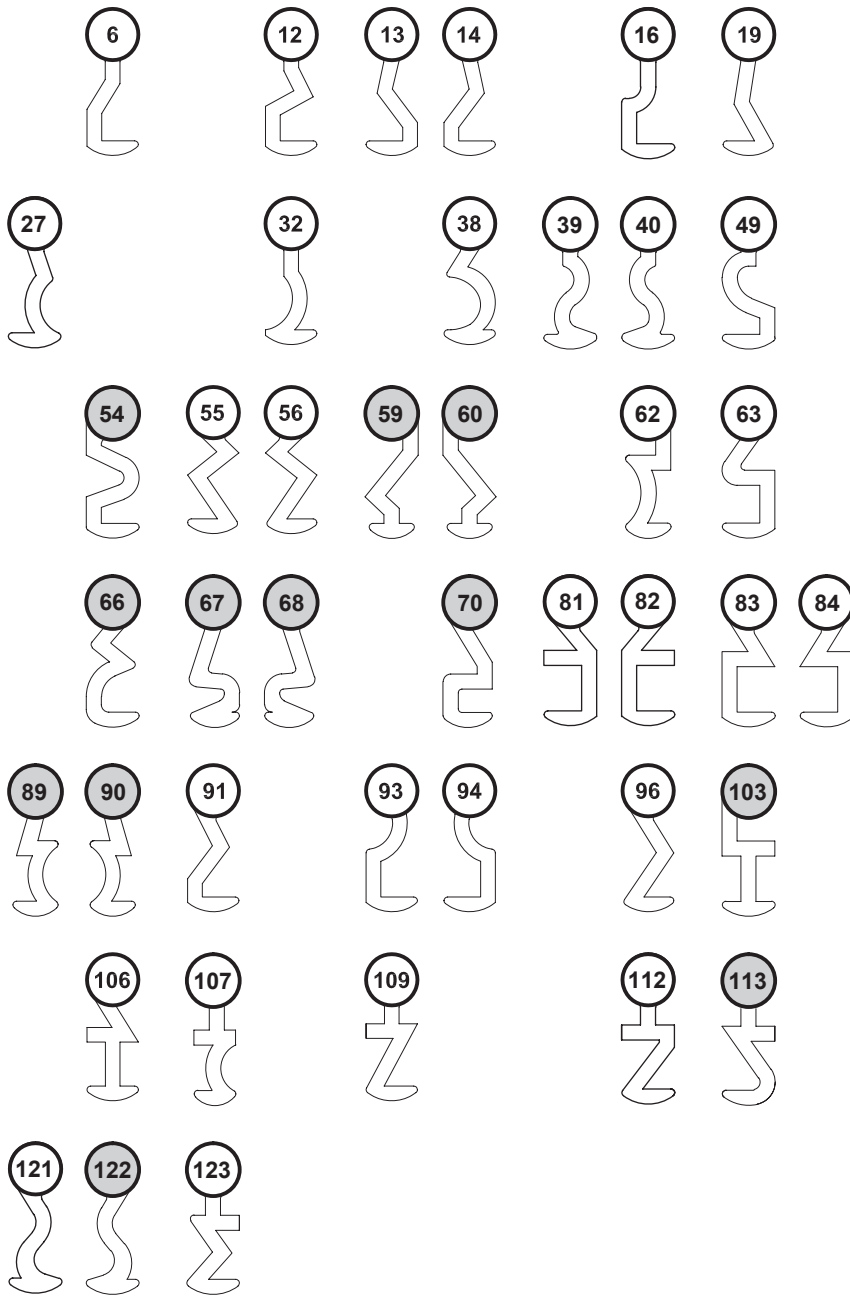


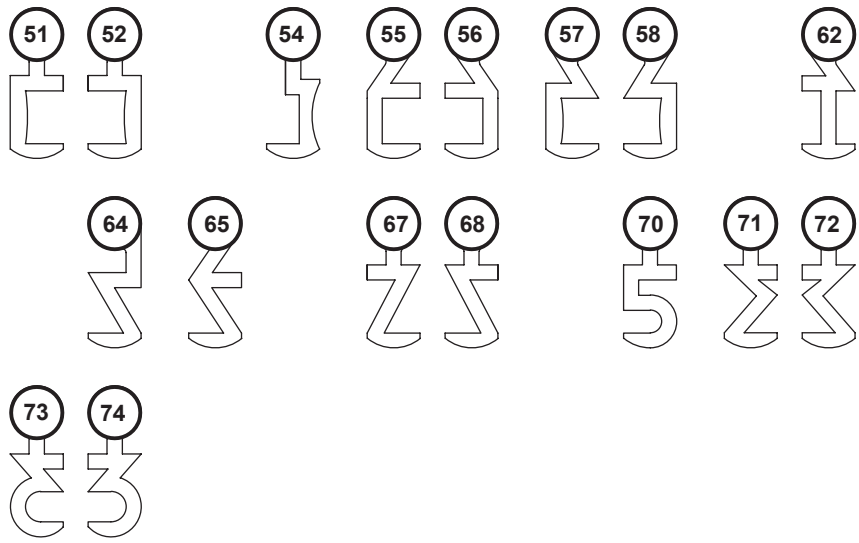
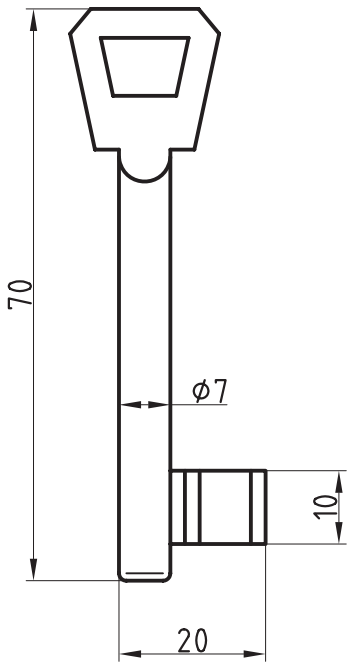


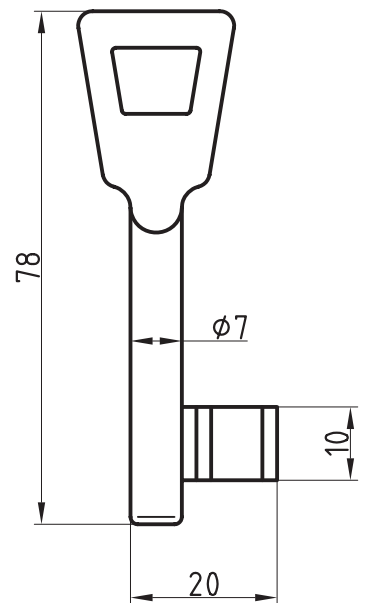
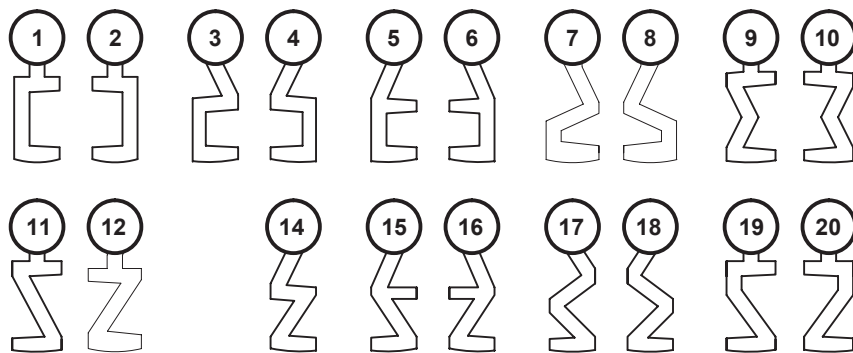
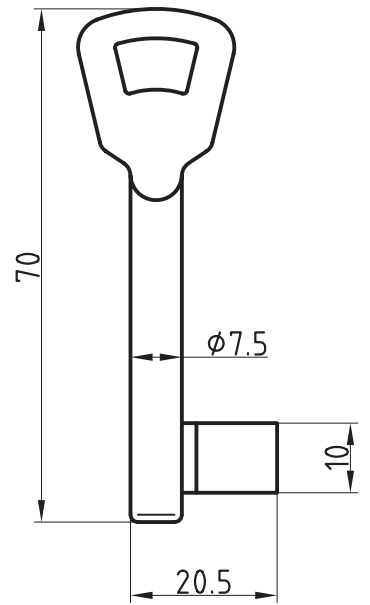
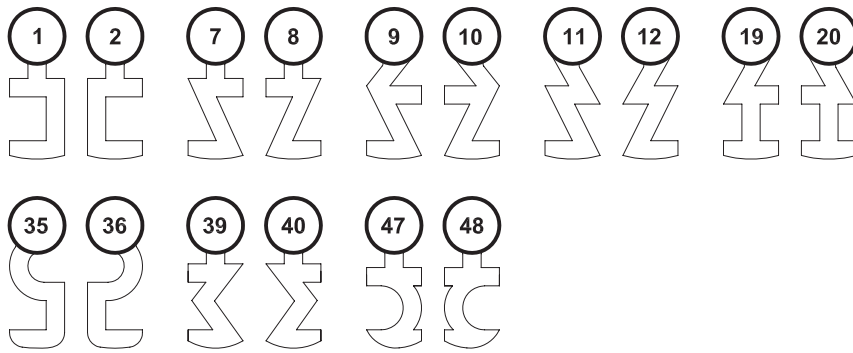


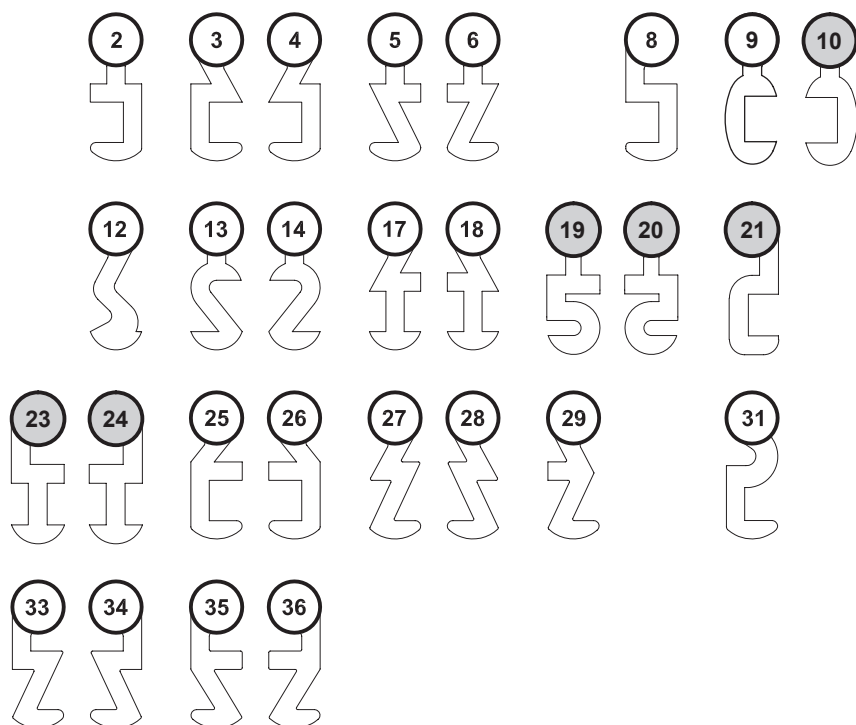
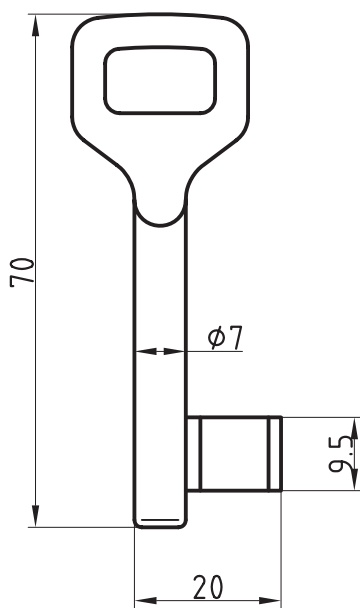
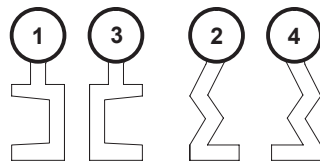
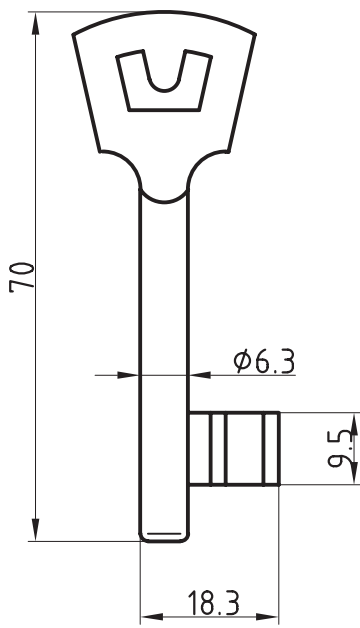


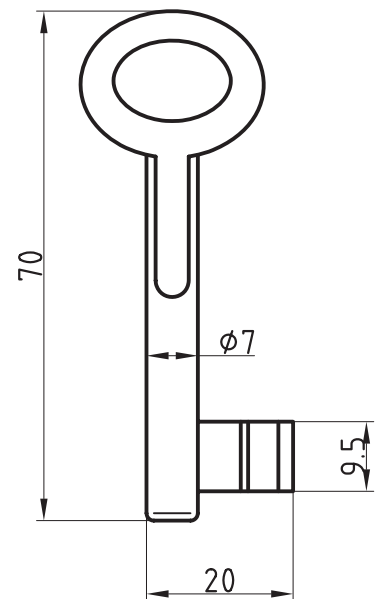
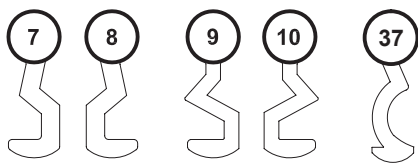
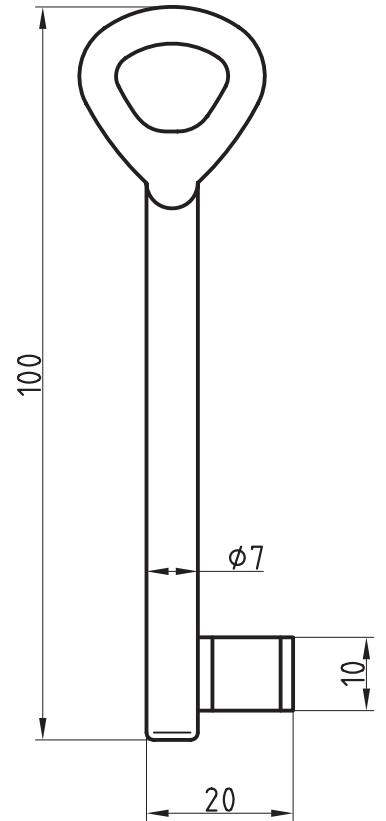
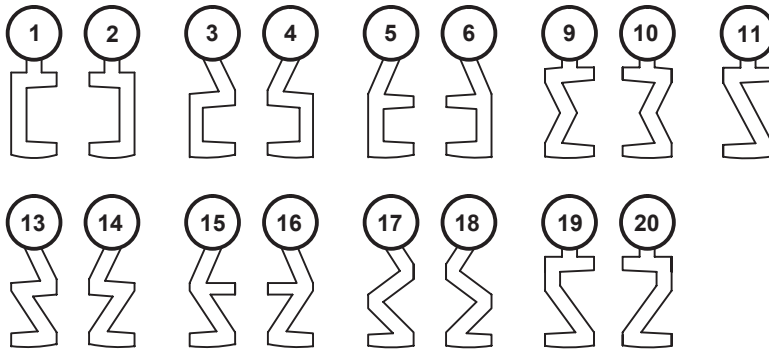




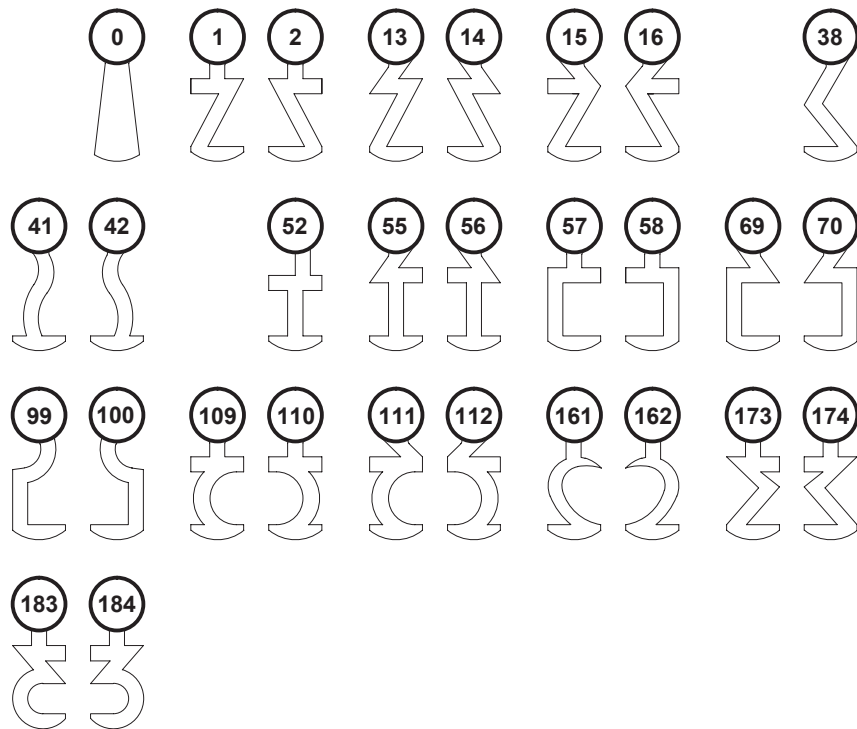
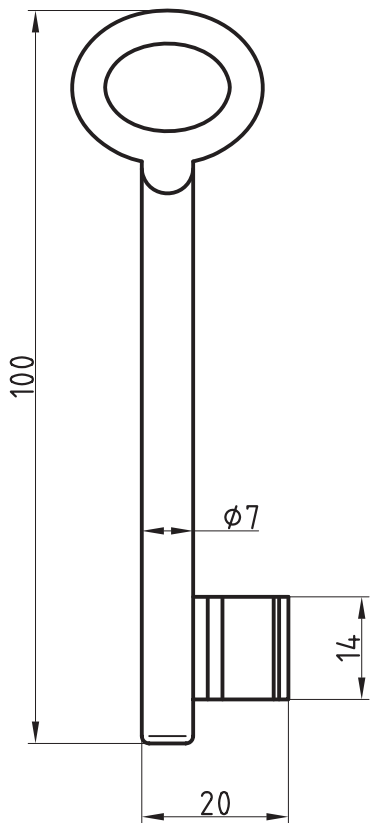
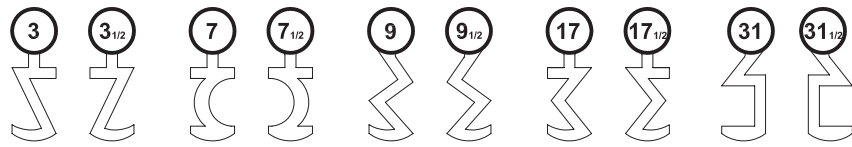
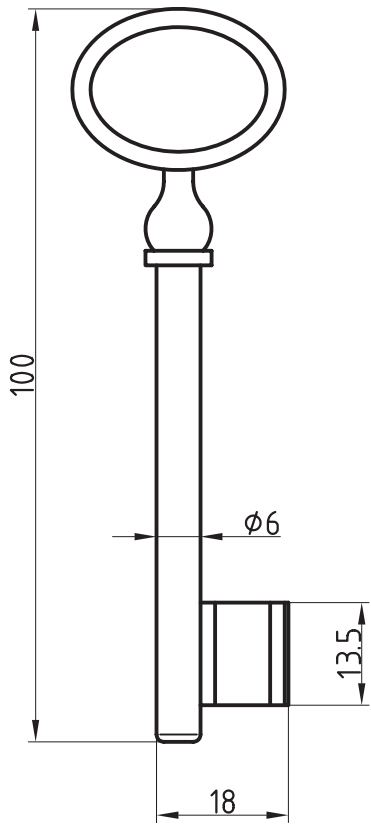


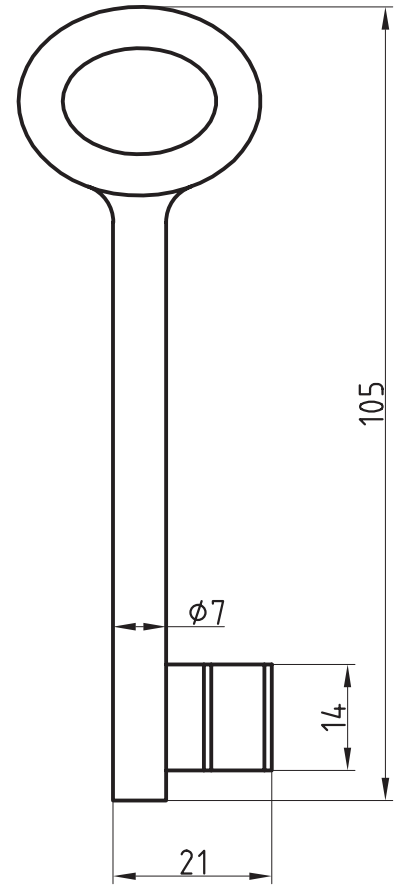
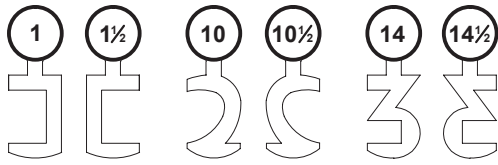






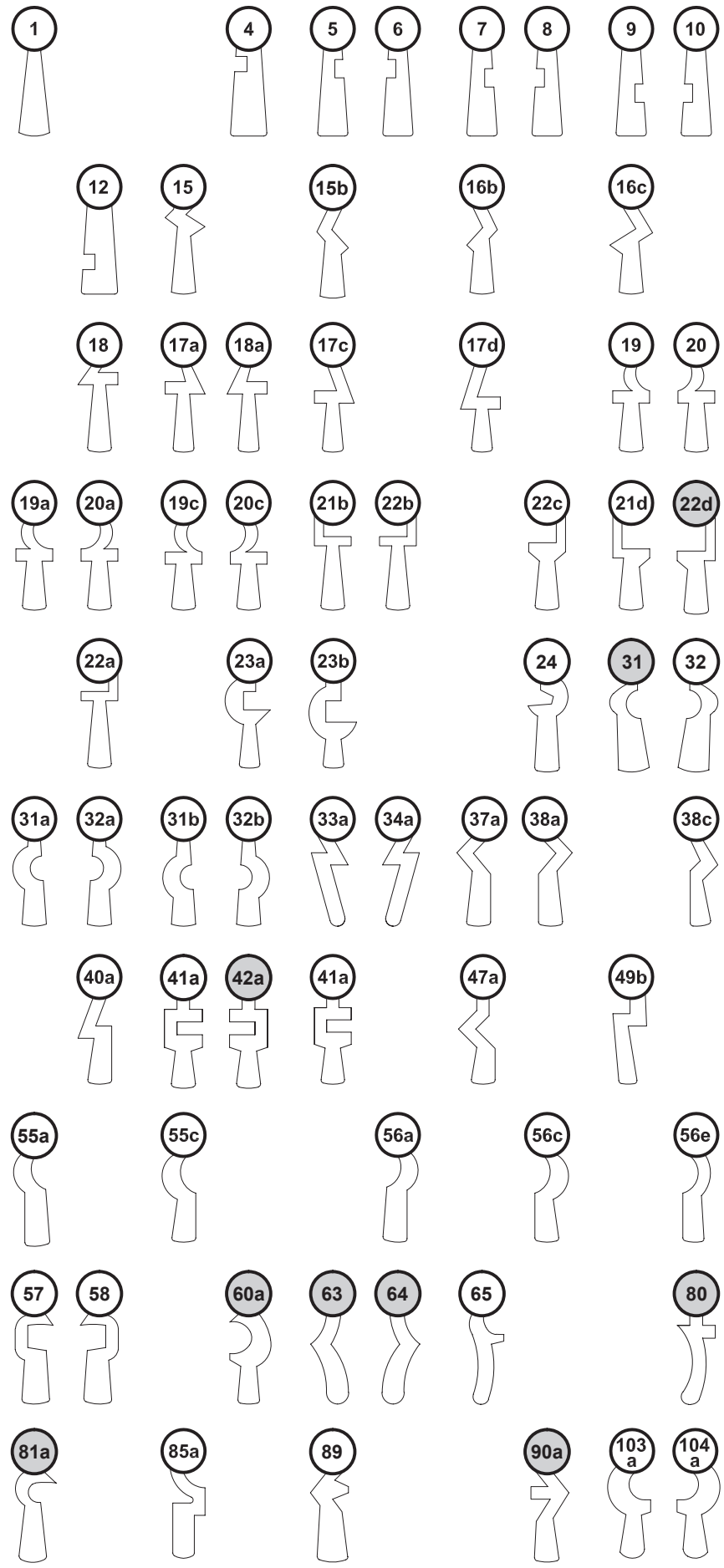
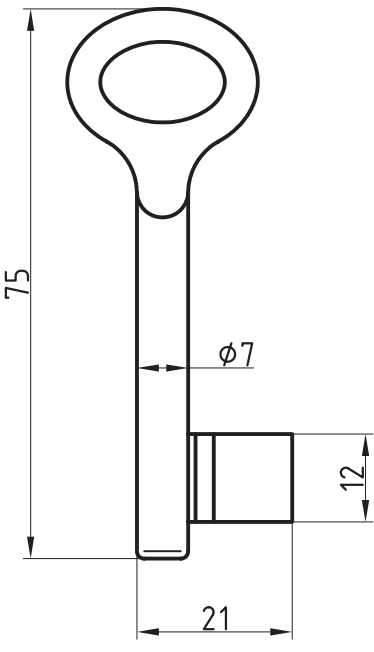
CASE LOCK KEYS

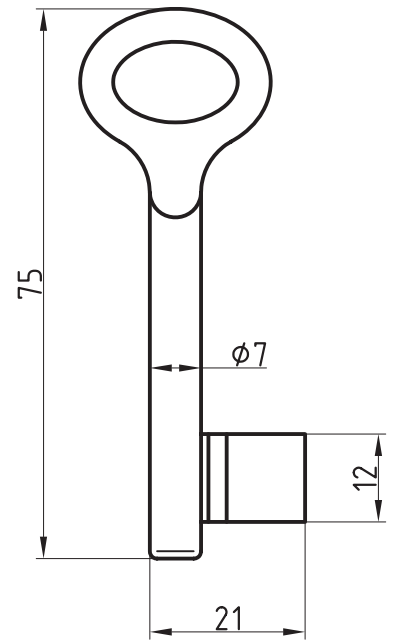
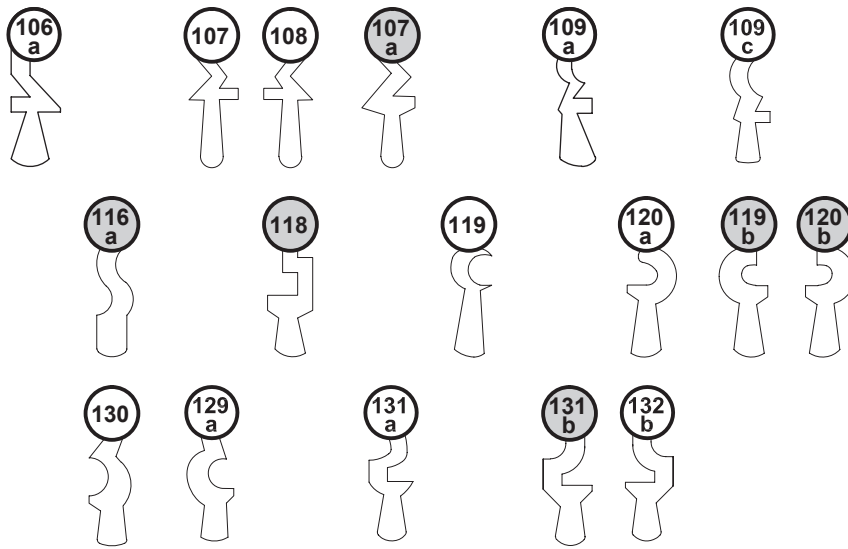




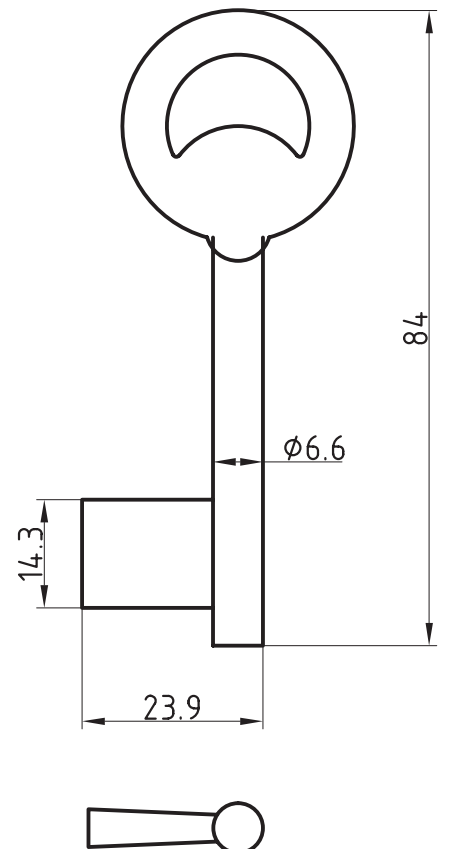
CASE LOCK
KEYS

CHUBB
KEYS

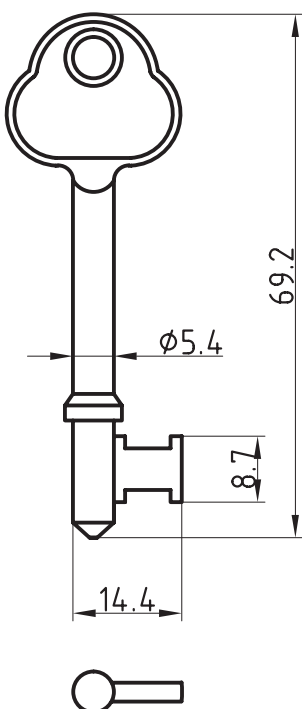
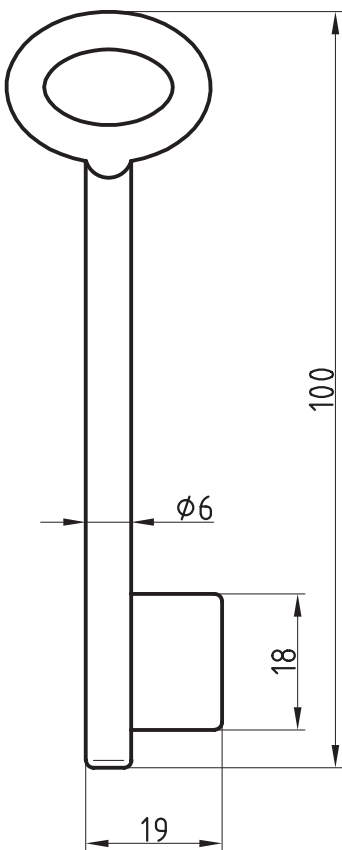


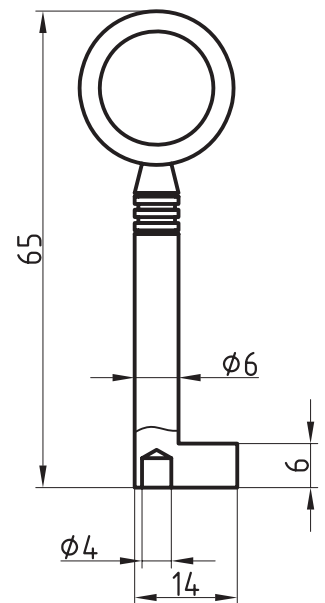
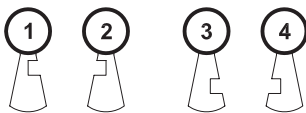
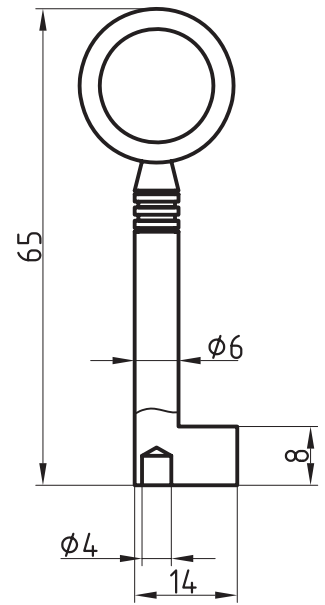
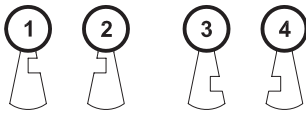


OHUBB
KEYS

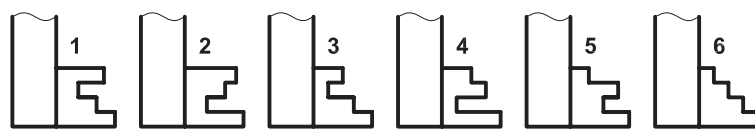
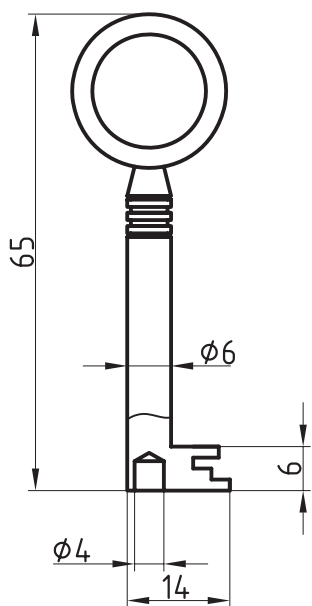
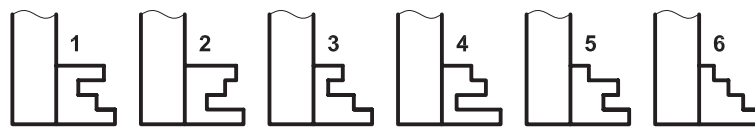
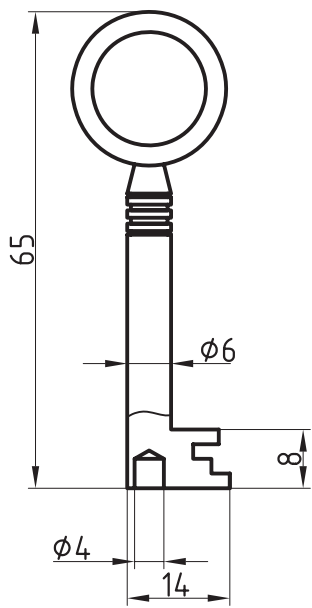


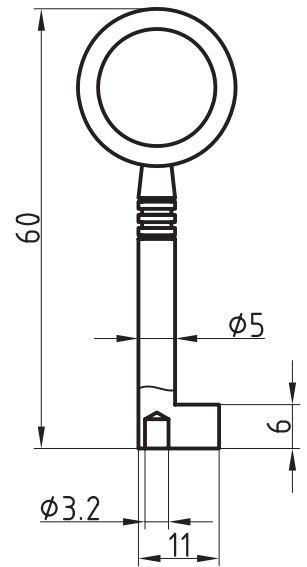
Chubb-
schlüssel



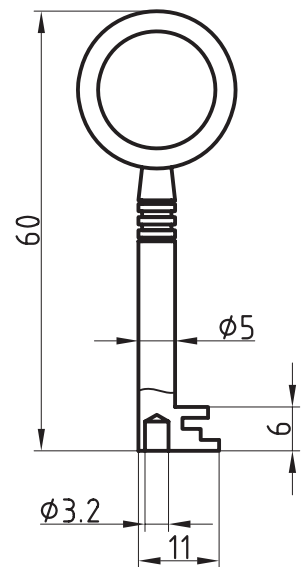
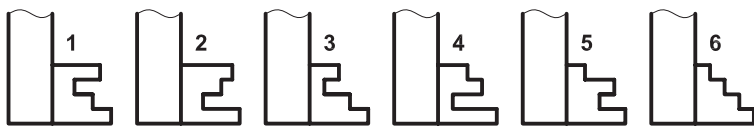


FURNITURE
KEYS

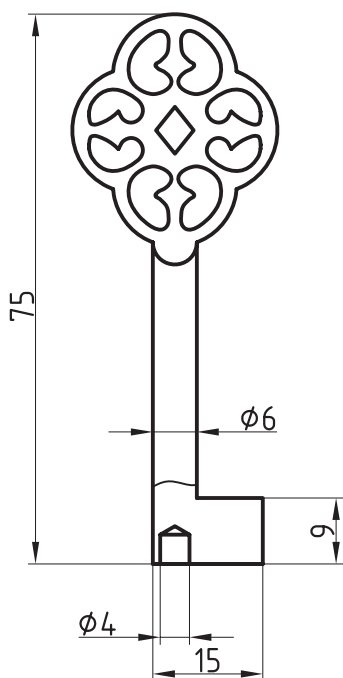
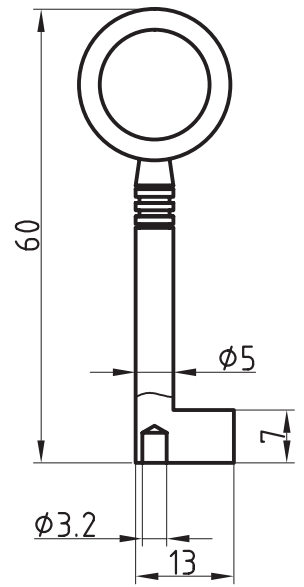
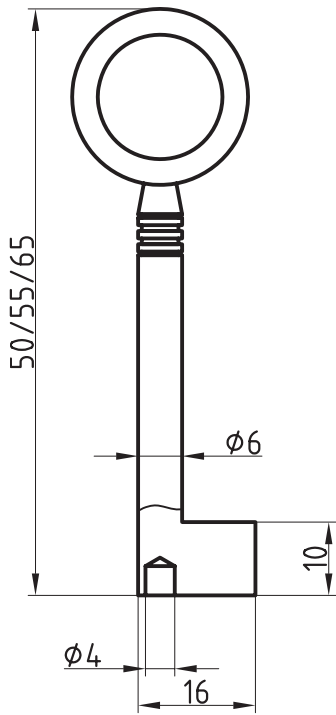




FURNITURE
KEYS

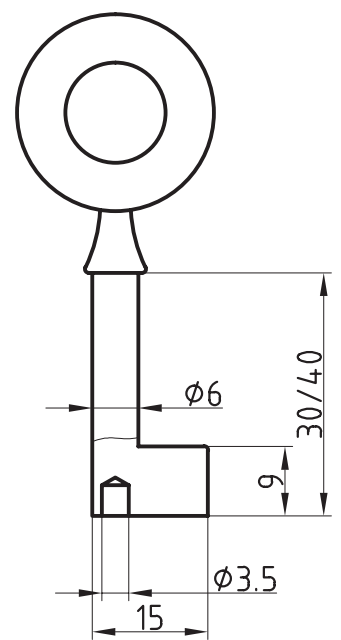


FURNITURE KEYS



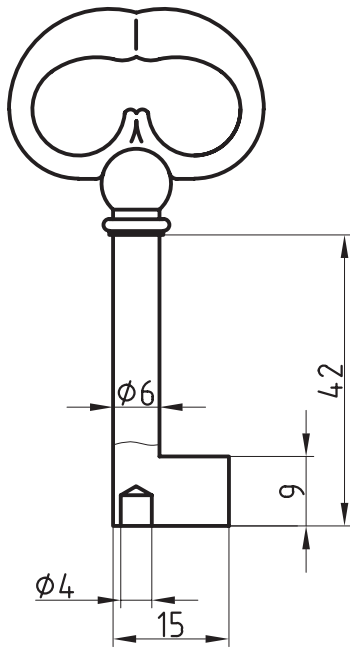
Brass

30 mm / 40 mm



Article-No. 2814-B-42

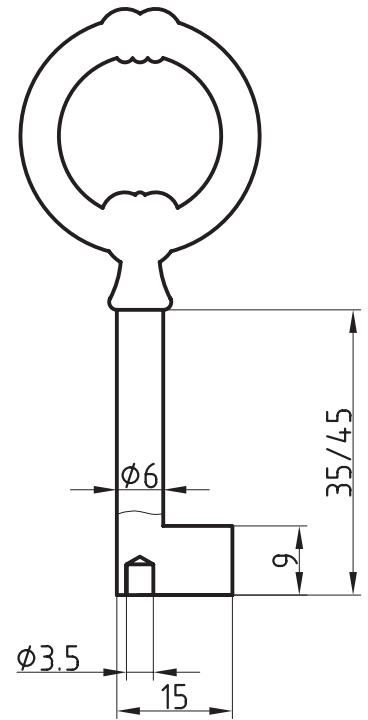
AG 930



Brass
42 mm

AG 930

Article-No. 2816-B-45/-M-35

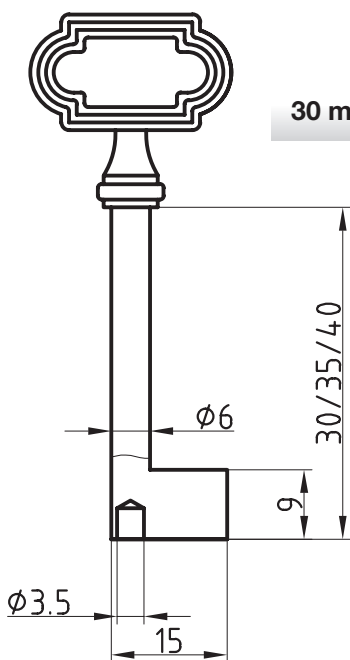


Brass
35 mm / 45 mm

FURNITURE
KEYS

Article-No. 2848-B-30/-B-35/
-B-40/-M-30/-M-35/-M-40

AG 930

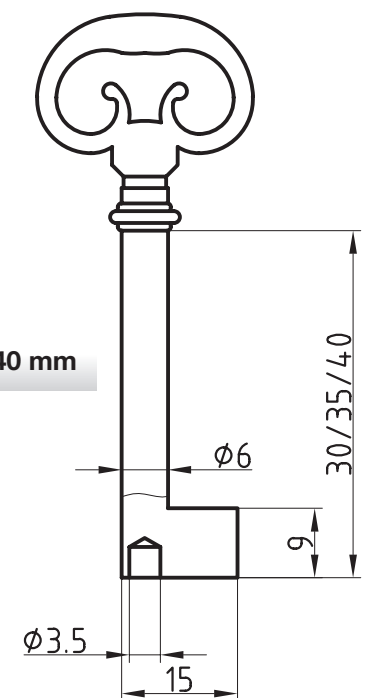


Brass
30 mm / 35 mm / 40 mm

AG 930

Article-No. 2849-B-30/-B-35
-B-40/-M-30/-M-40

Brass
30 mm / 35 mm / 40 mm



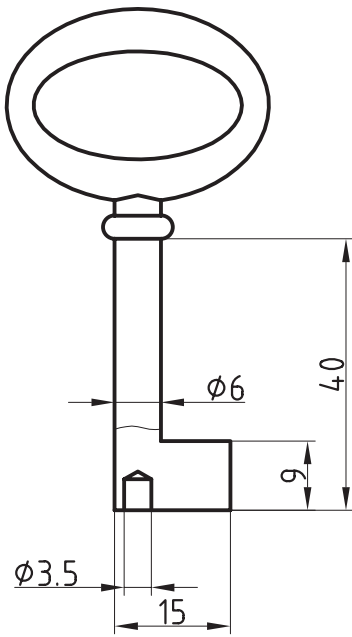
Article-No. 2854-M-40

AG 930

AG 930

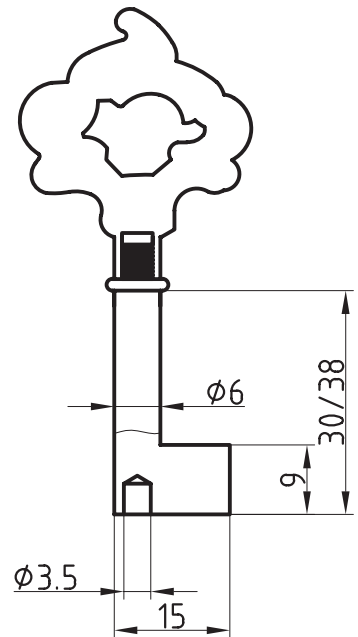
Article-No. 2855-B-30/
-B-38/-M-38

FURNITURE
KEYS



Brass
40 mm

Brass
30 mm / 38 mm

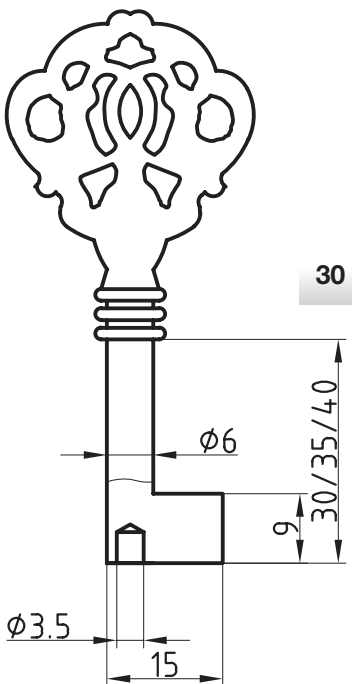


Article-No. 2870-B-30/-B-40/
-M-30/-M-40

AG 930

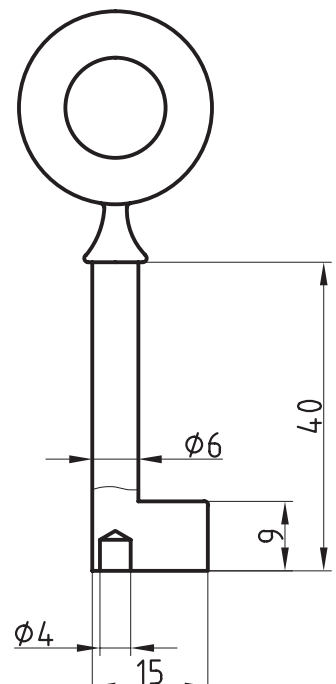
AG 926

Article-No. 2900-M-40/-N-40



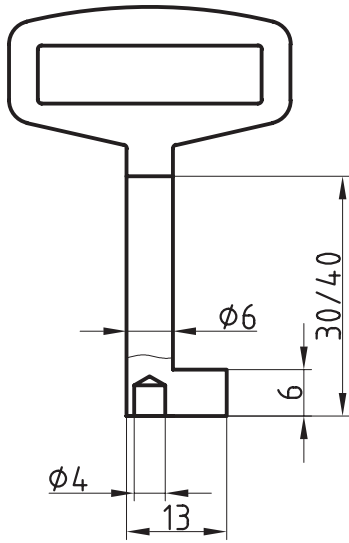
Brass
30 mm / 40 mm

Diecast
40 mm



Article-No. 2901-M-30
-M-40/-N-30/-N-40

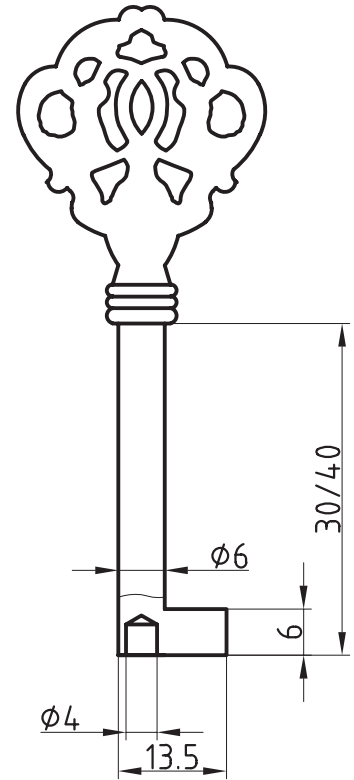
AG 926



Diecast
30 mm / 40 mm

AG 926

Article-No. 2902-B-30
-B-40/-M-40

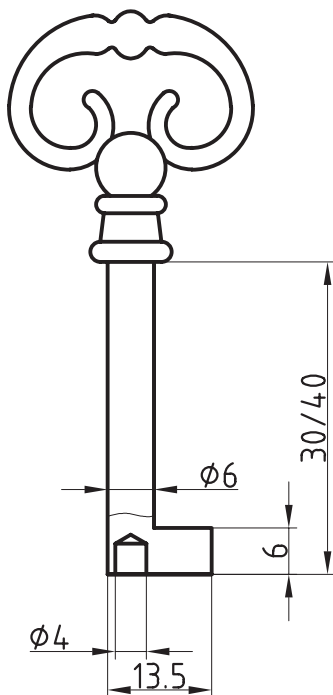


Diecast
30 mm / 40 mm

FURNITURE
KEYS

Article-No. 2903-B-30
-B-40/-M-30/-M-40

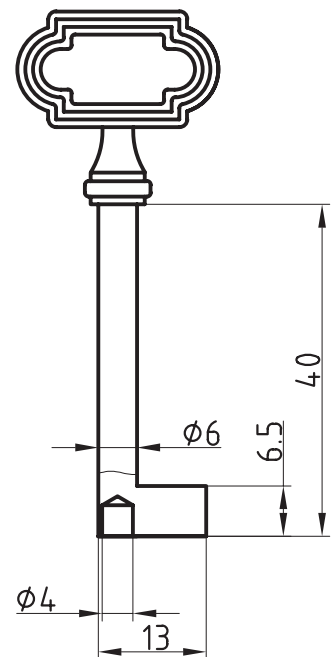
AG 926



Diecast
30 mm / 40 mm

AG 926

Article-No. 2905-B-30/-B-40



Diecast
40 mm

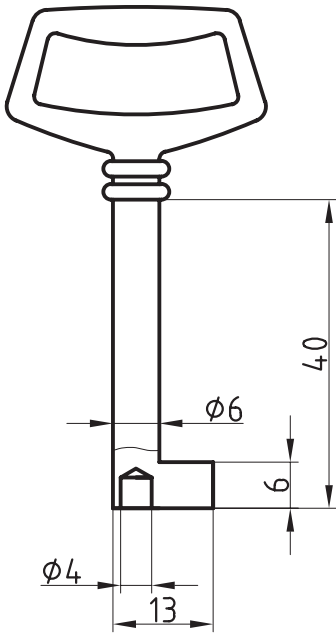
Article-No. 2906-M-40

AG 926

AG 926

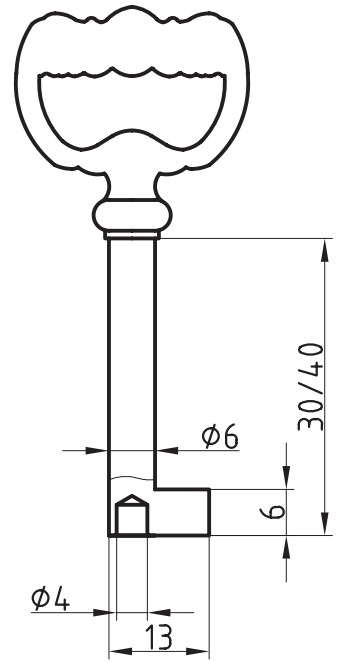
Article-No. 2911-B-30/
-B-40/-M-40

FURNITURE
KEYS



Diecast
40 mm

Diecast
30 mm / 40 mm

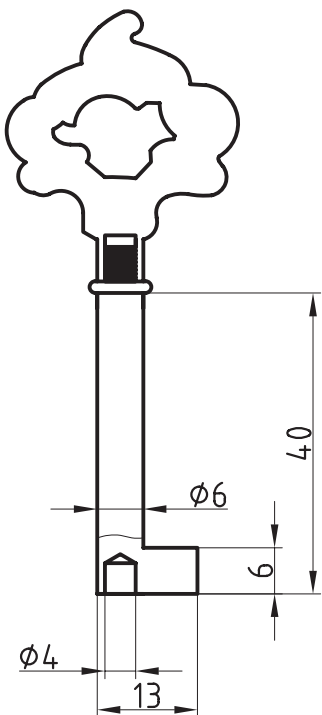


Article-No. 2912-B-40

AG 926

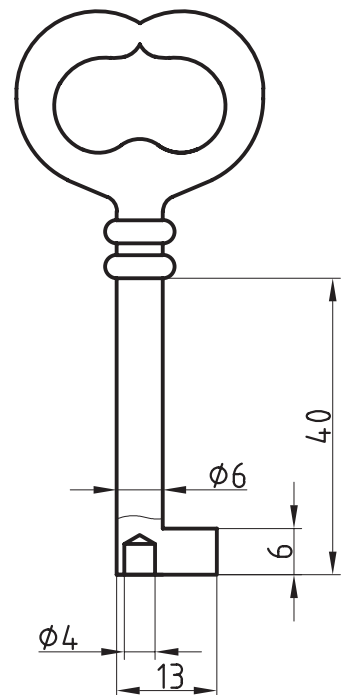
AG 926

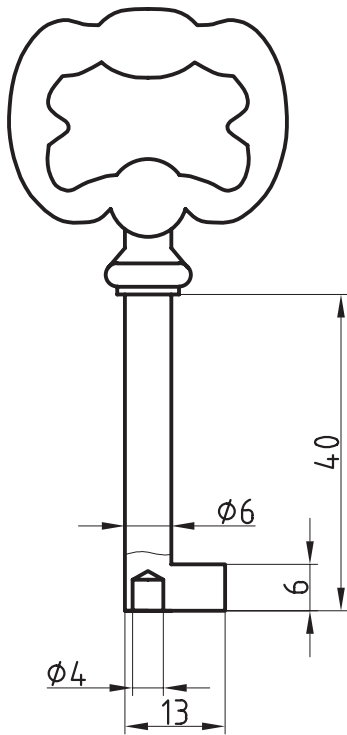
Article-No. 2913-B-40/-M-40



Diecast
40 mm

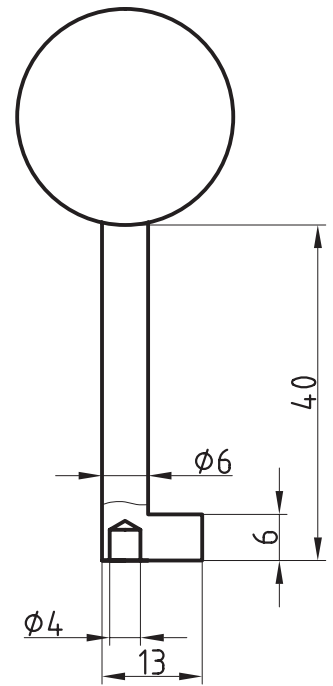
Diecast
40 mm



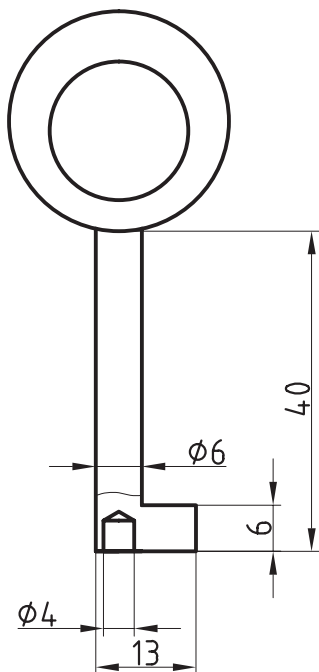


Diecast
40 mm

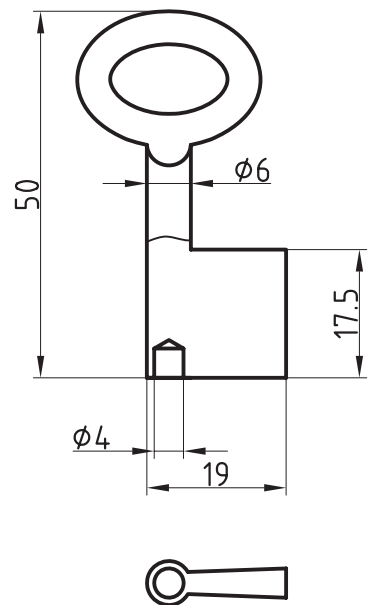
Diecast
40 mm



FURNITURE
KEYS



Diecast
40 mm



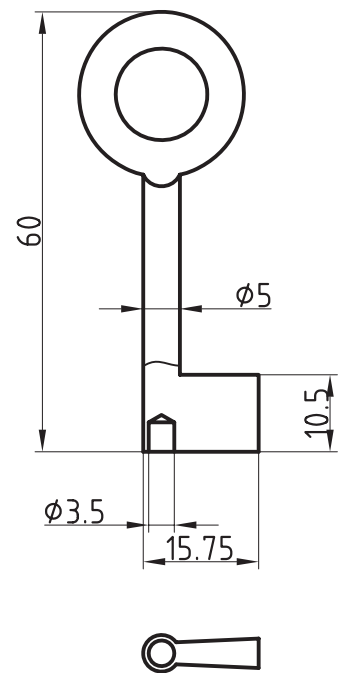
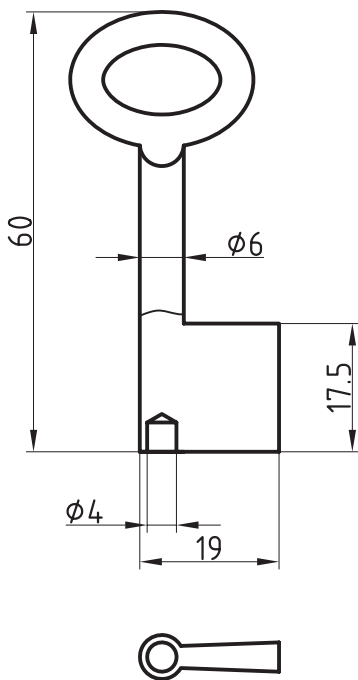
Article-No. 1256G

AG 998

AG 998

Article-No. 6805

FURNITURE
KEYS

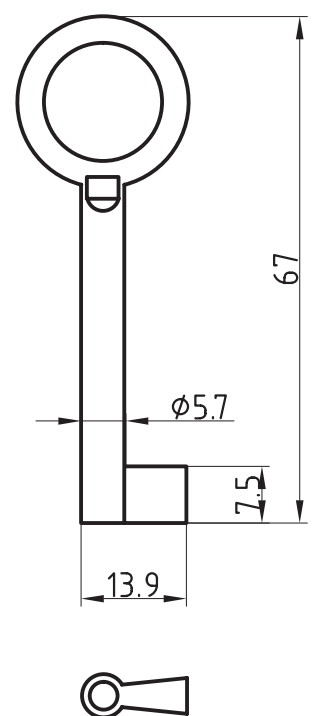
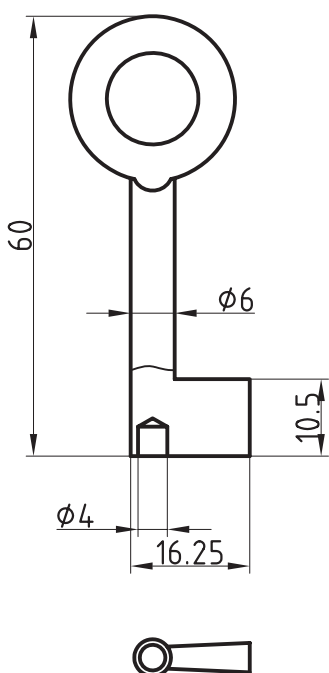


Article-No. 6806

AG 998

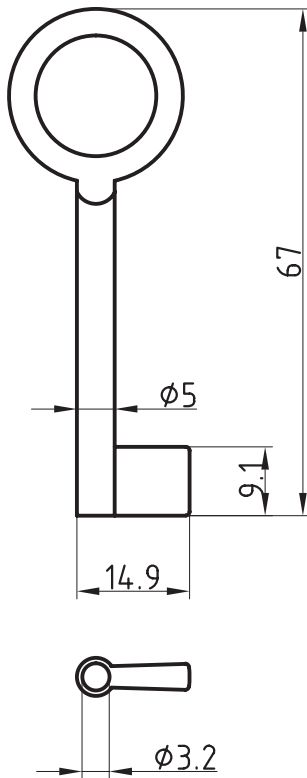
AG 922

Article-No. A-1G



Article-No. A-4G

AG 922

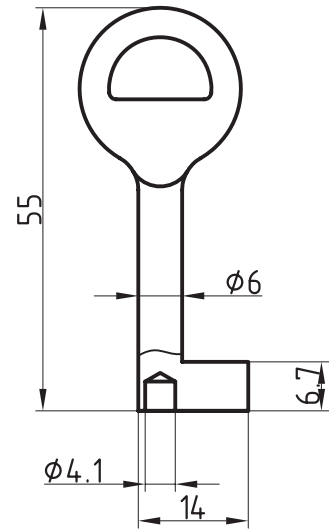


AG 938

Article-No. 2261-1 bis 60
System Schulte Schlagbaum

AG 938

Article-No. 2261S
Key Blank Without Cut

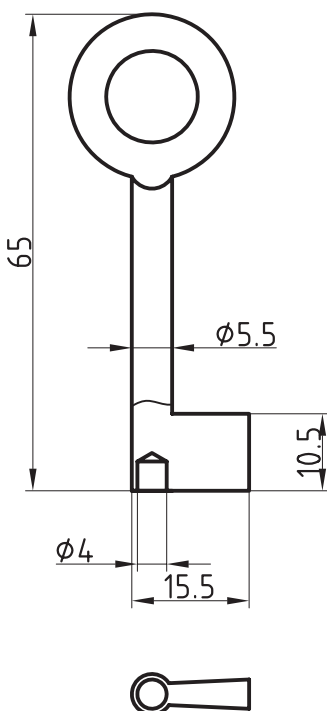


FURNITURE
KEYS

LETTERBOX
KEYS

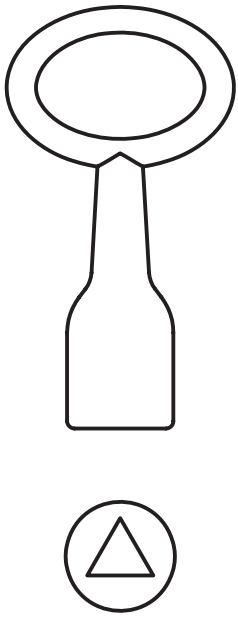
Article-No. 1252G

AG 938



Article-No. 301D
Triangular (3K) 7/8/9/10 mm

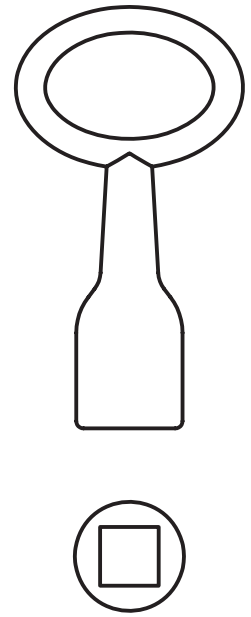
AG 8A



8 mm Suitable For
BASI Triangular Cylinder

AG 8A

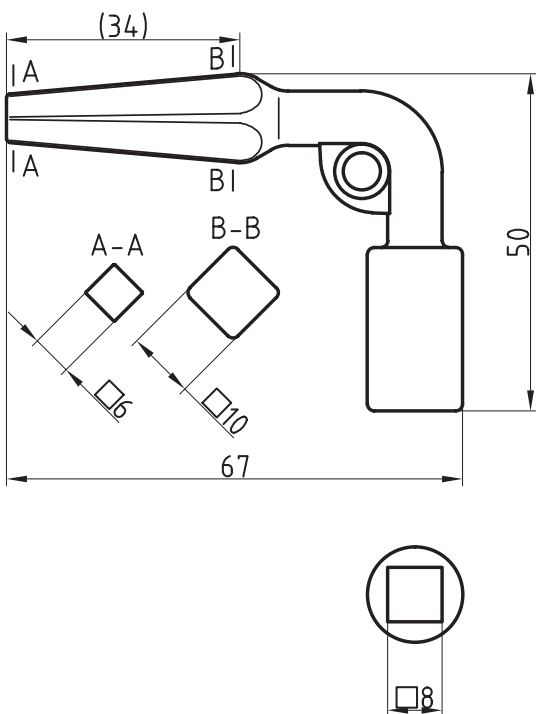
Article-No. 301V
Square (4K) 5/6/7/7.5/8/9/10 mm



DRIFT
KEYS

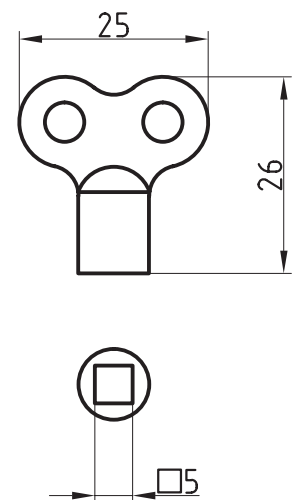
Article-No. 310A
Square (4K) 8 mm

AG 8A



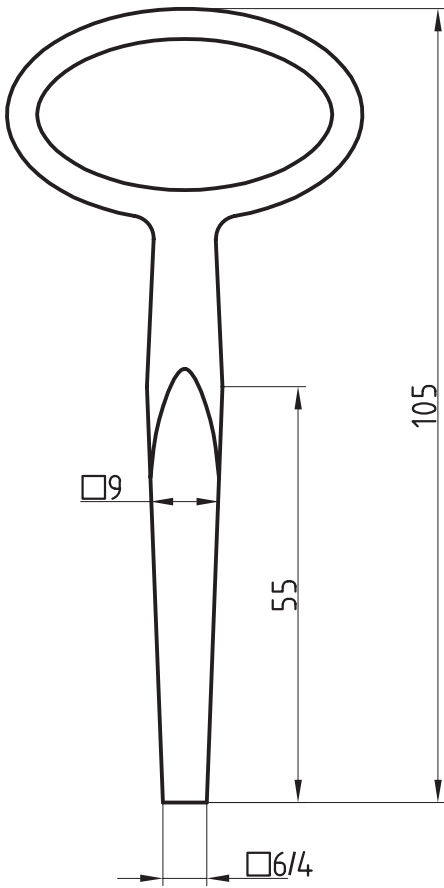
AG 8A

Article-No. 323
Vent Key/Square (4K) 5 mm



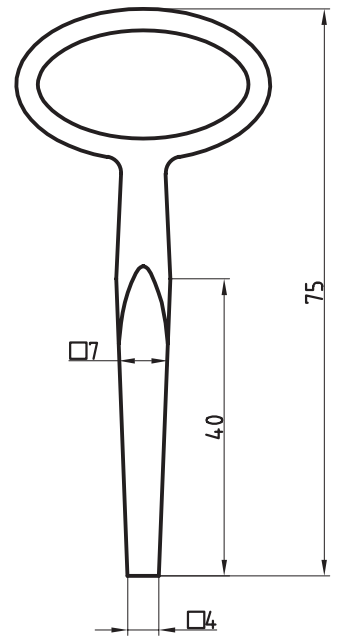
Article-No. 306
Square (4K) 6 mm

AG 8A



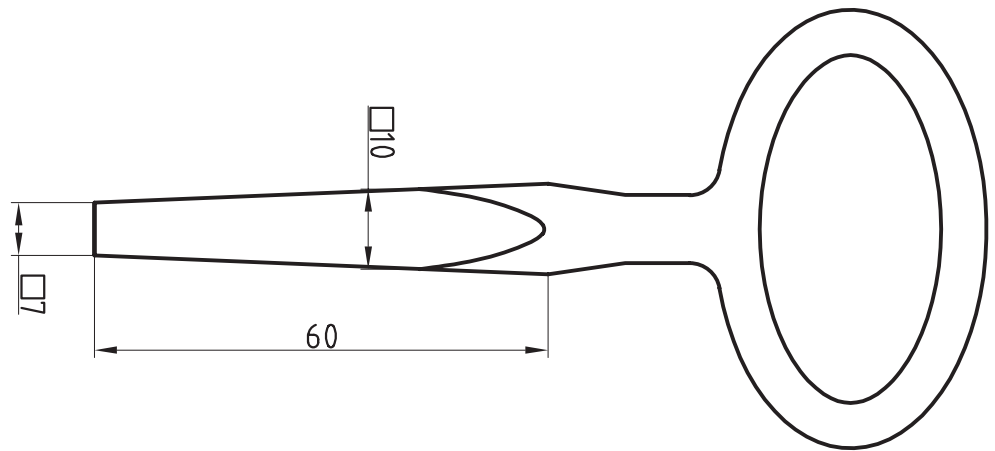
AG 8A

Article-No. 306.5
Square (4K) 4 mm



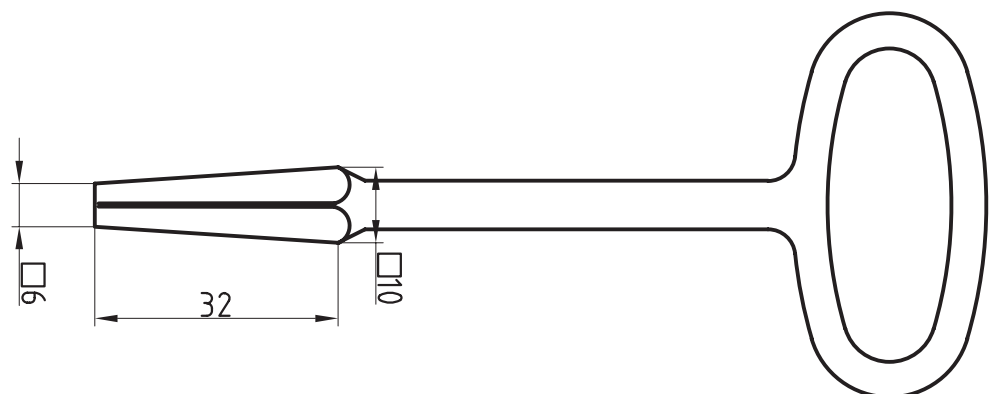
AG 8A

Article-No. 307
Square (4K) 7 mm



AG 938

Article-No. 307.5
Square (4K) 6 mm



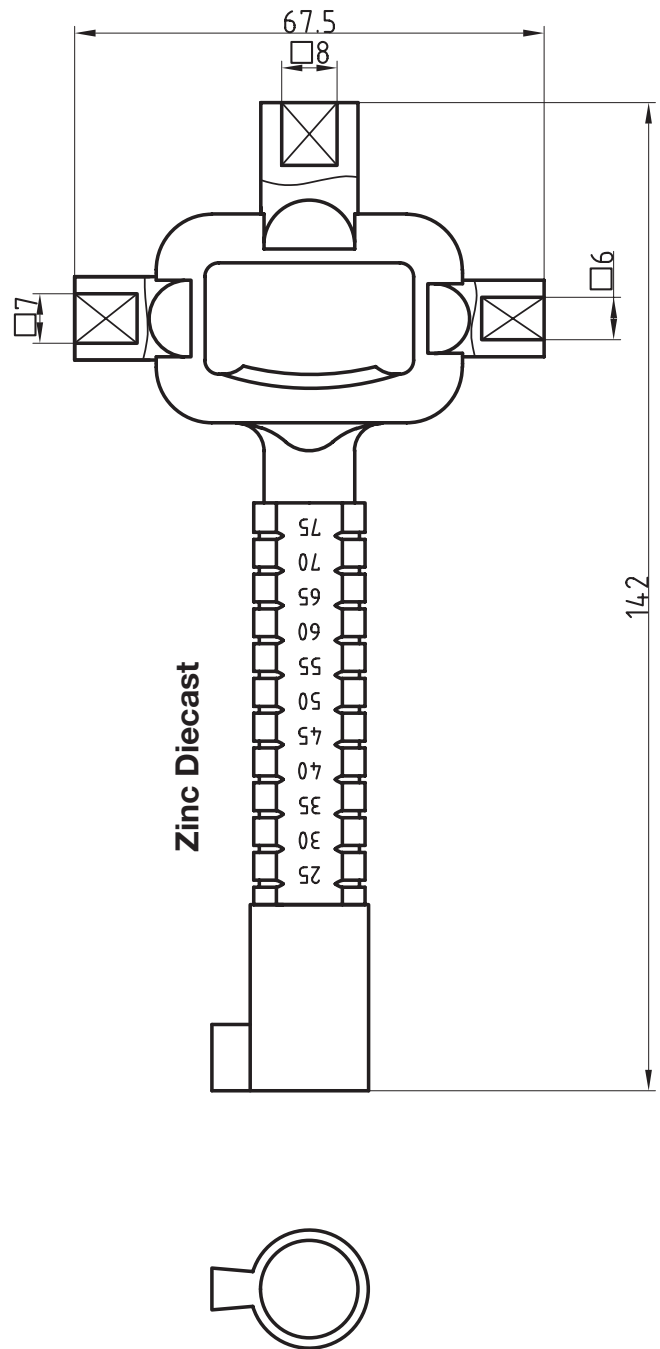
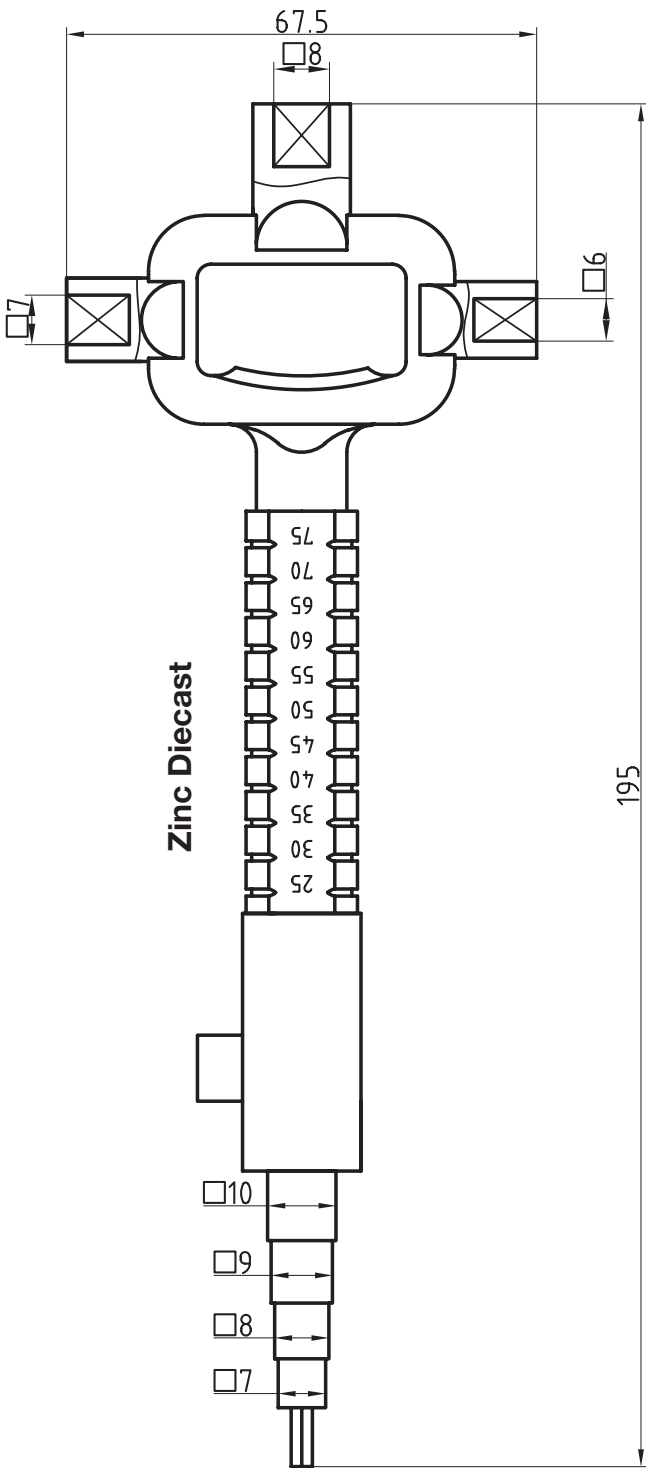
CONSTRUCTION
KEYS

Article-No. 668N
Universal Socket

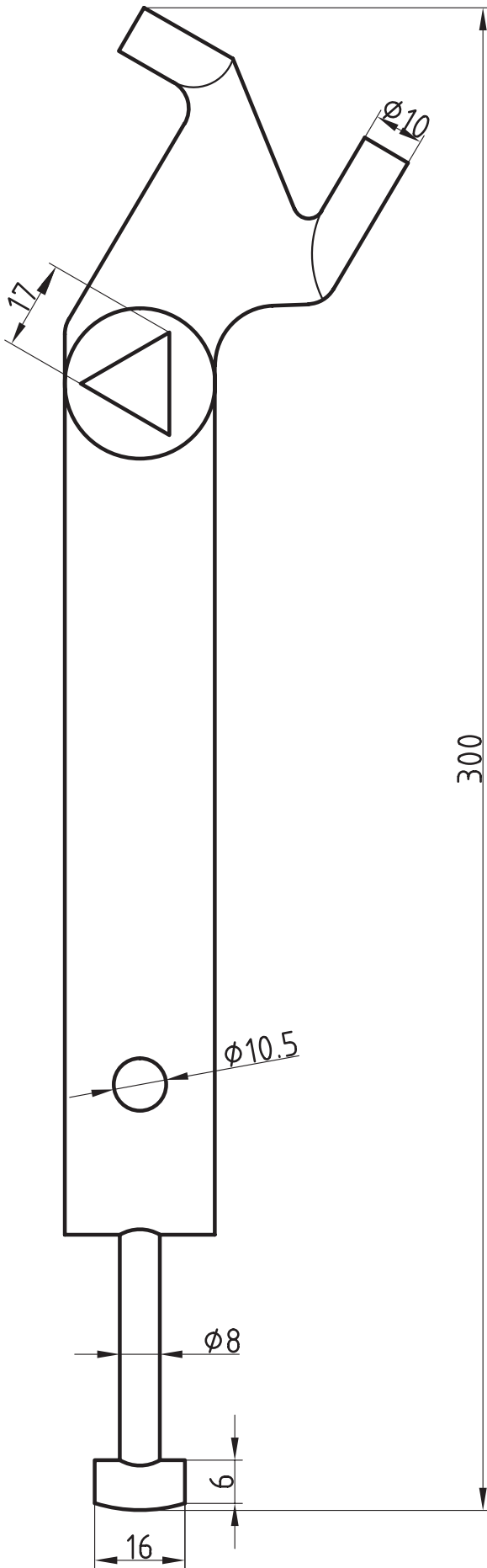
AG 8A

AG 8A

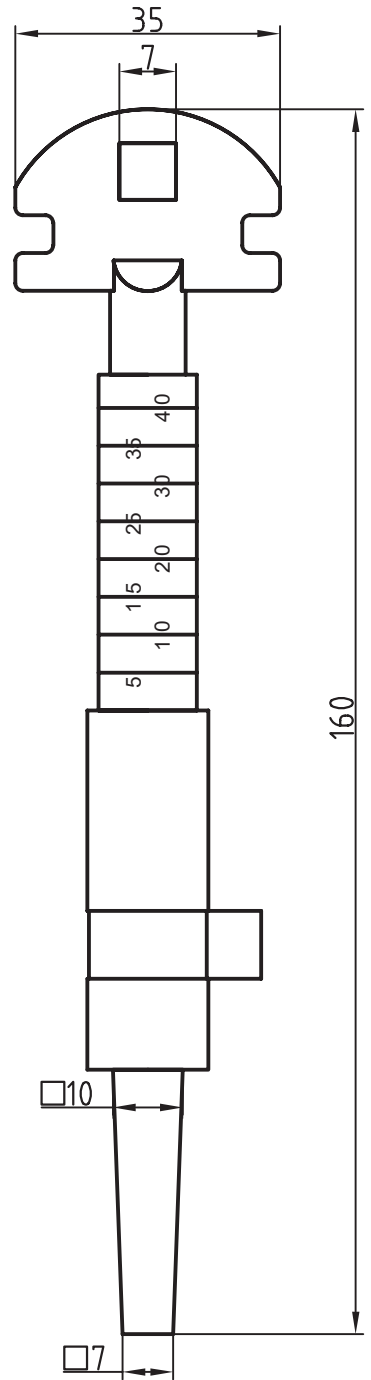
Article-No. 668NK
Universal Socket Short

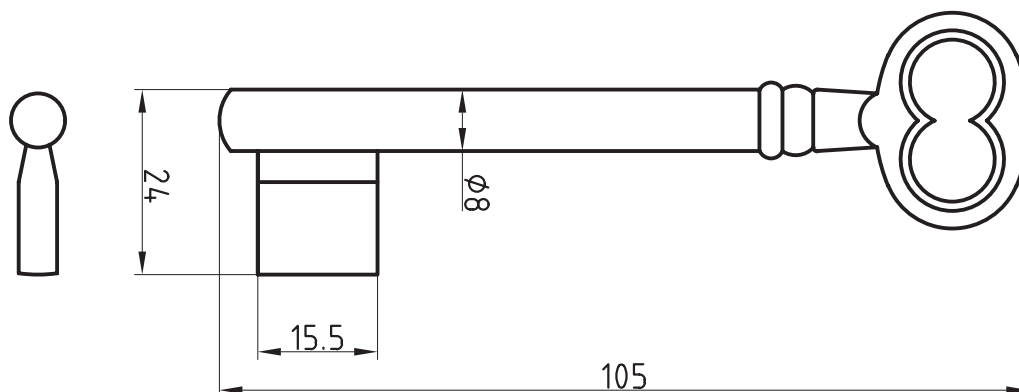
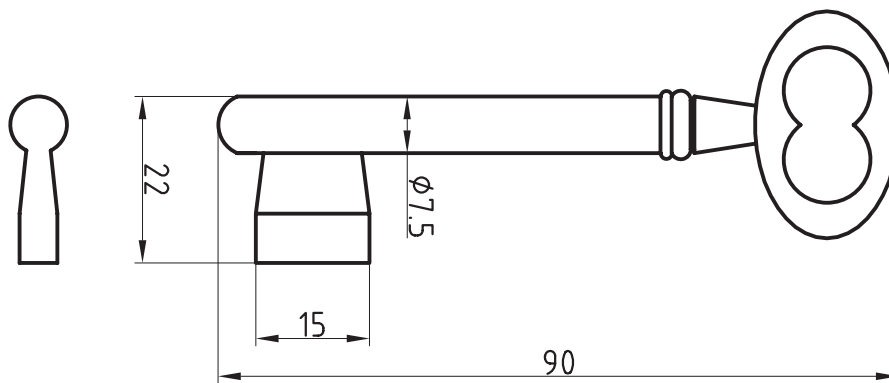
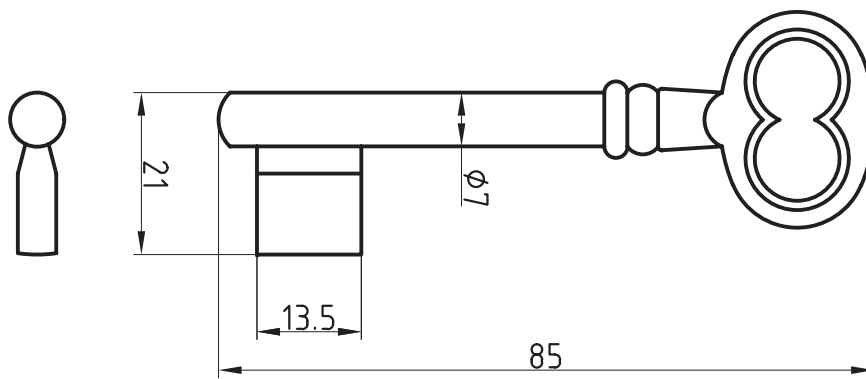


CONSTRUCTION
KEYS

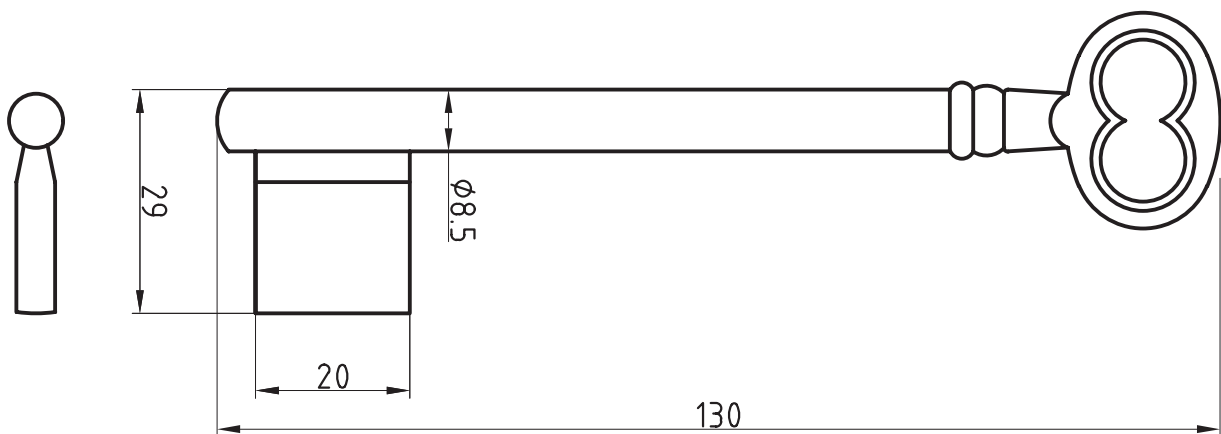
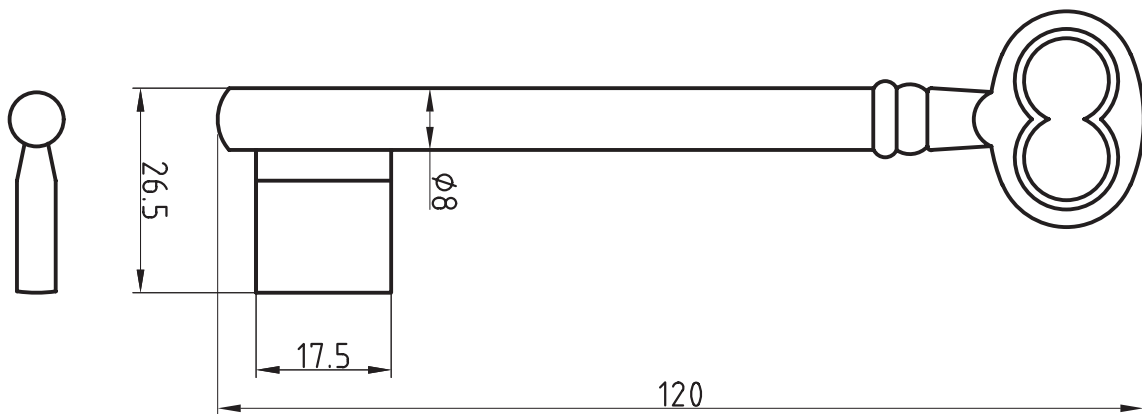
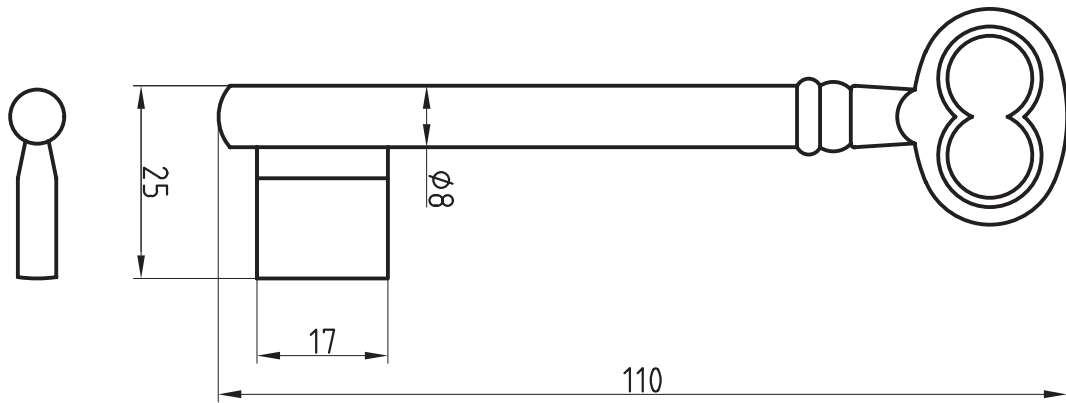


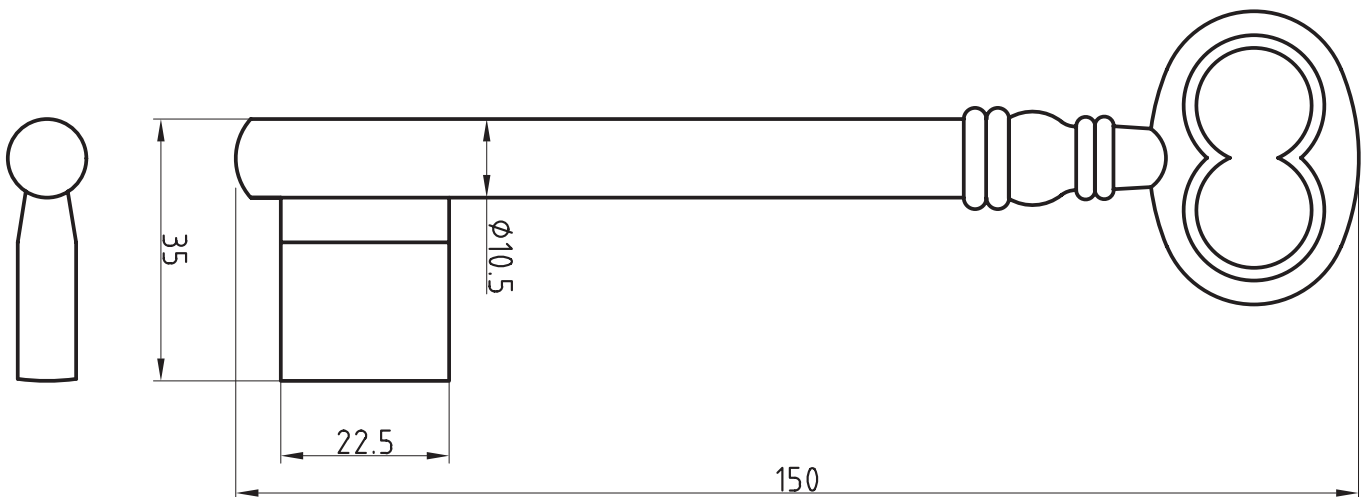
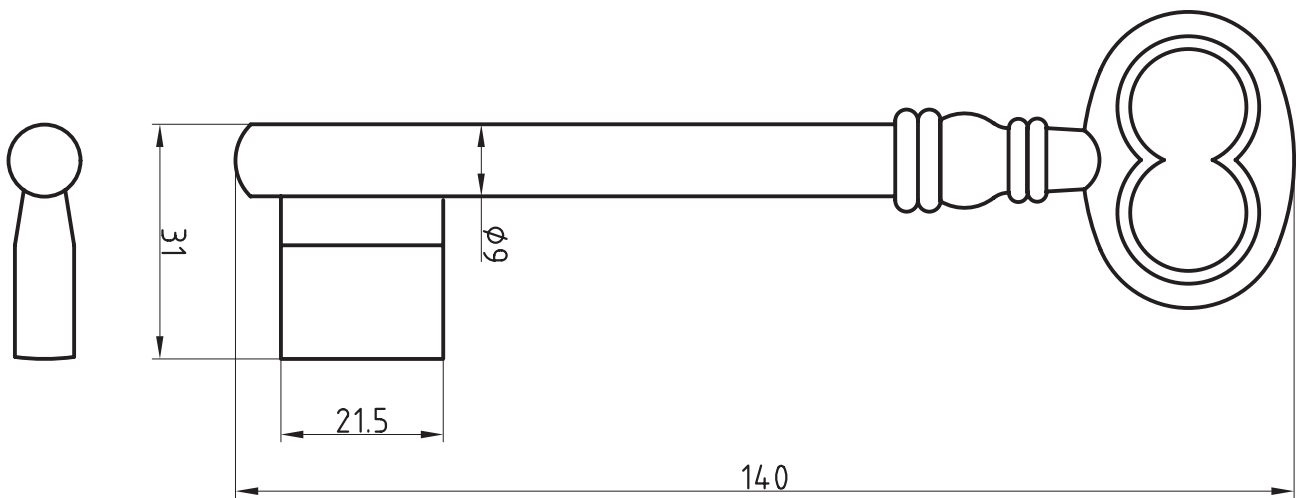
Plastic
With 7 x 10 mm Conical Square



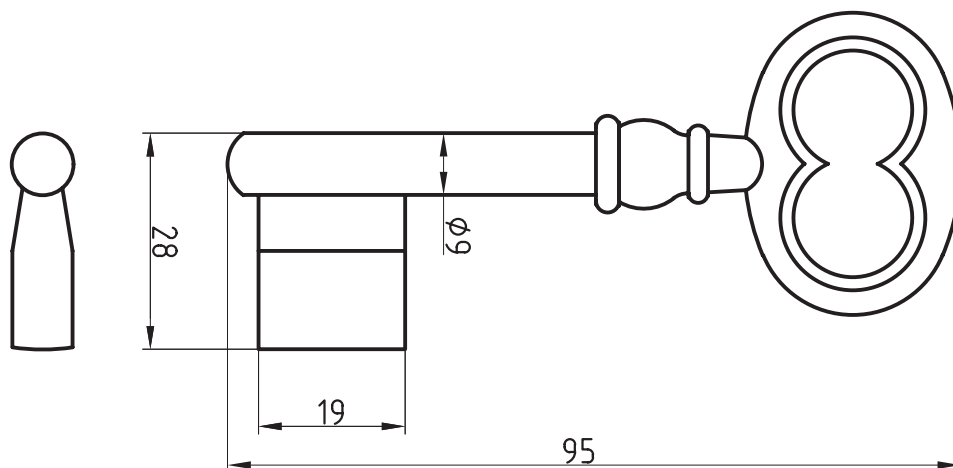


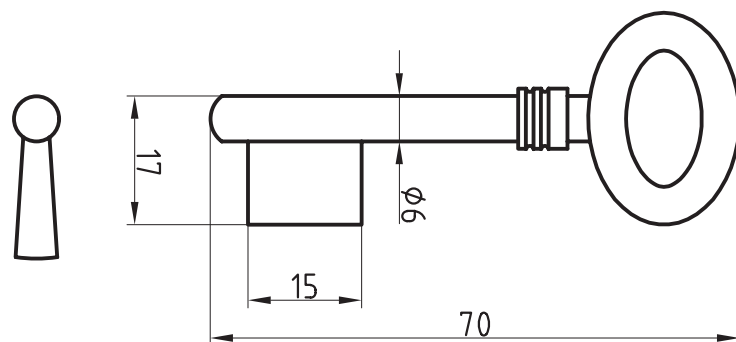
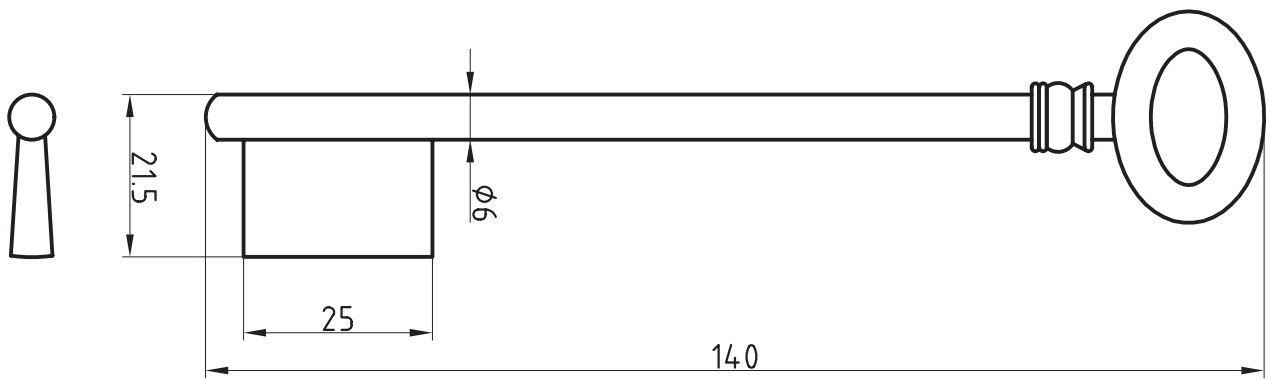
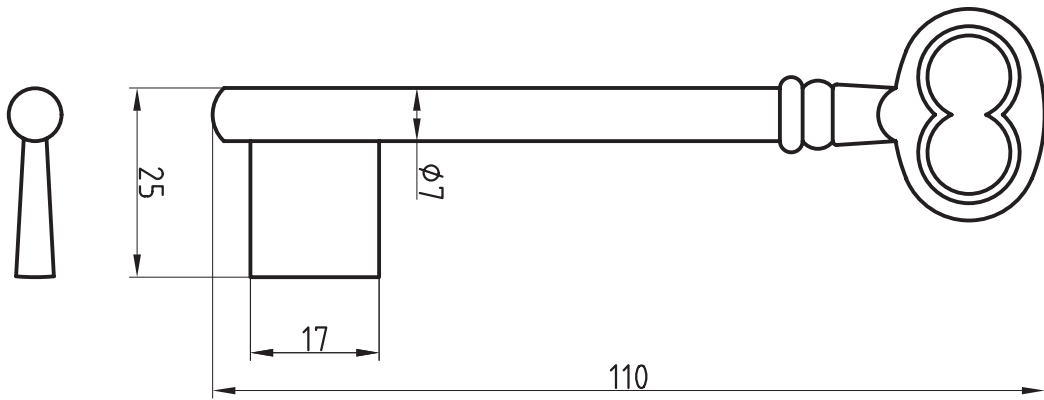
SINGLE BIT KEYS

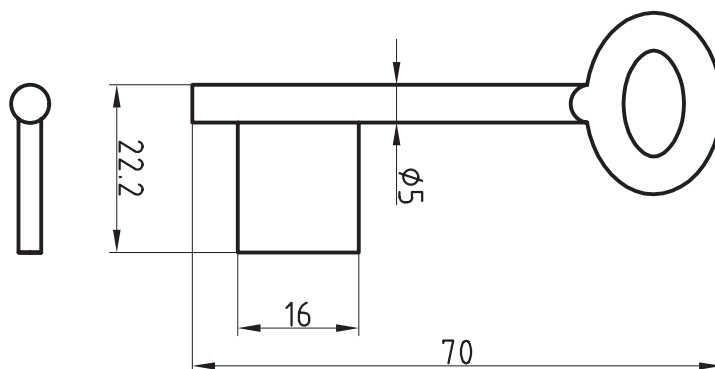
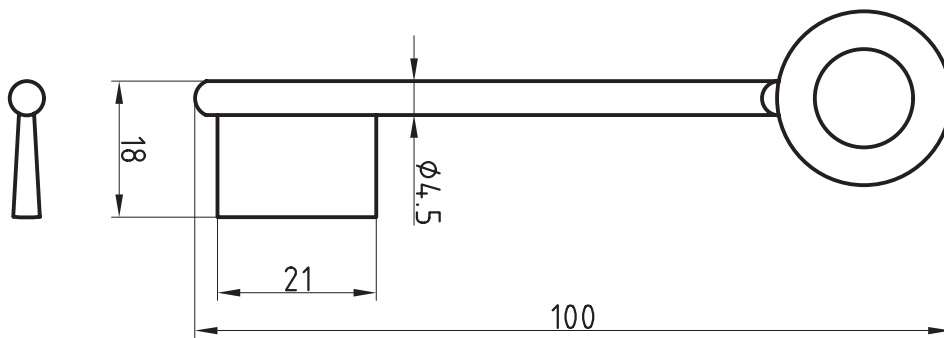
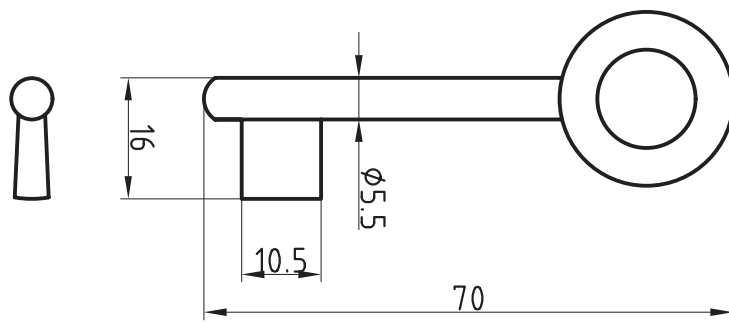




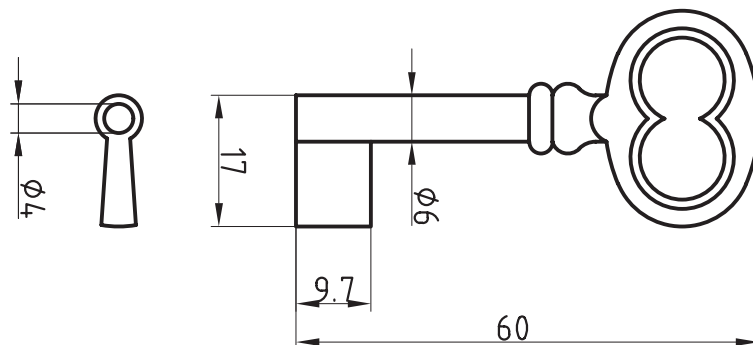
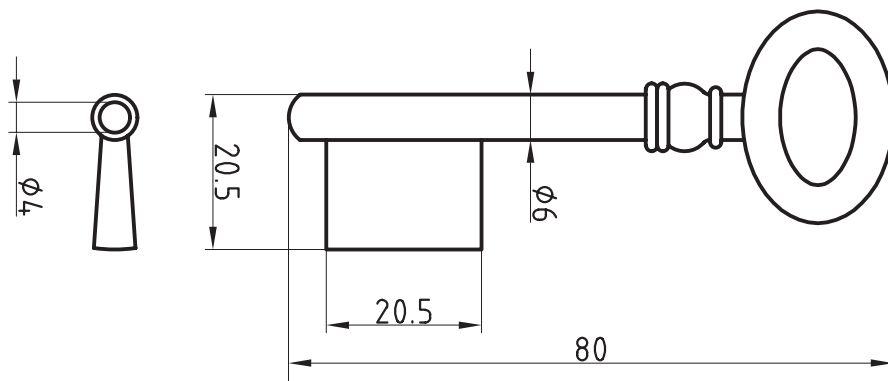
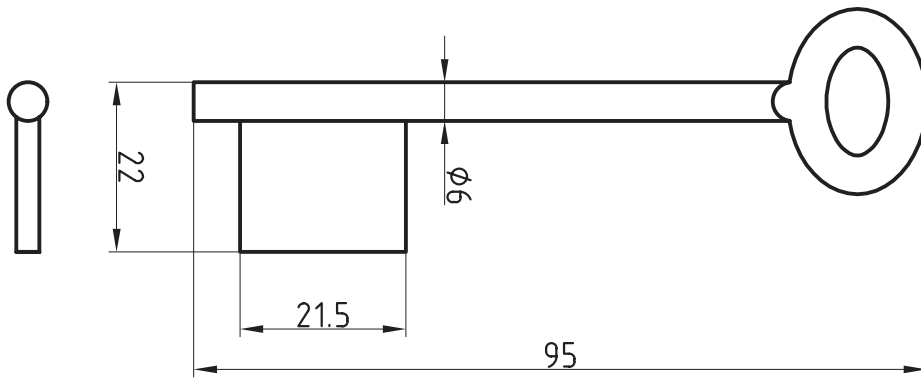
SINGLE BIT KEYS

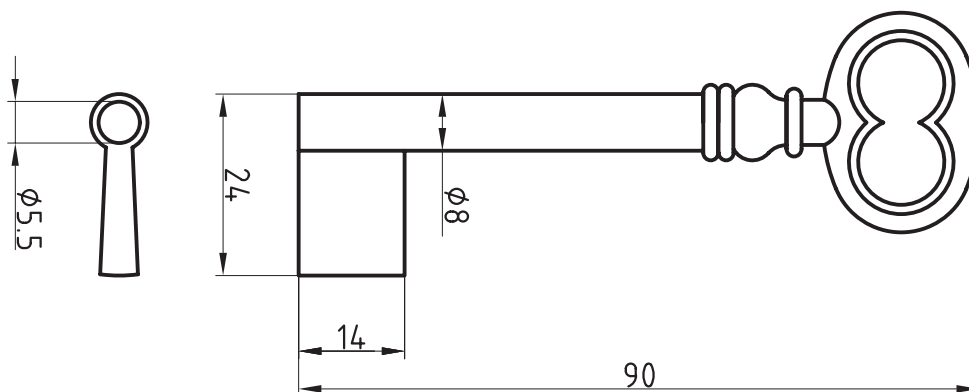
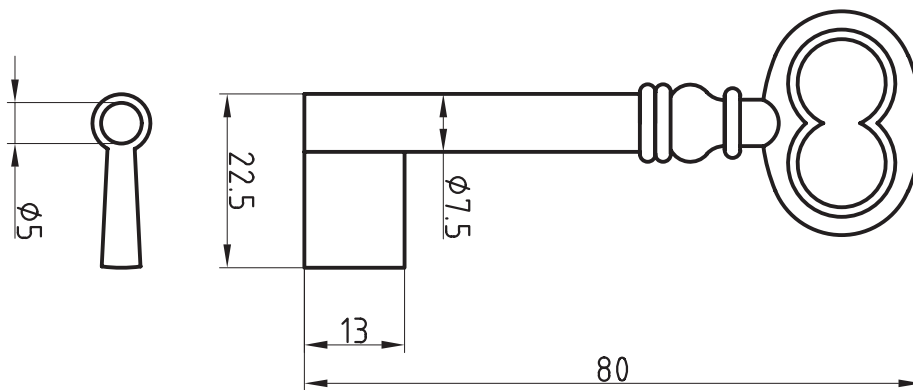
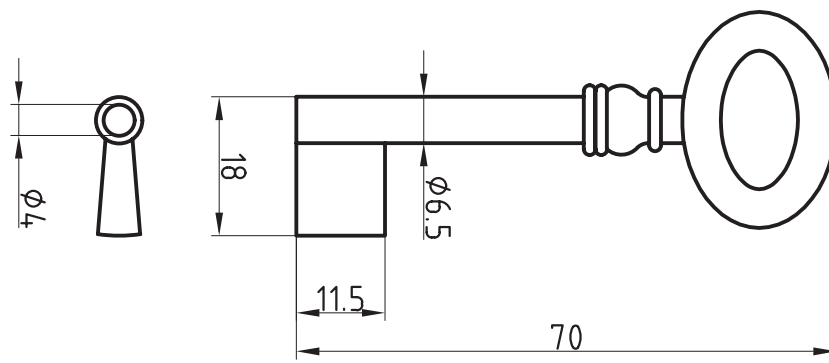






SINGLE BIT KEYS

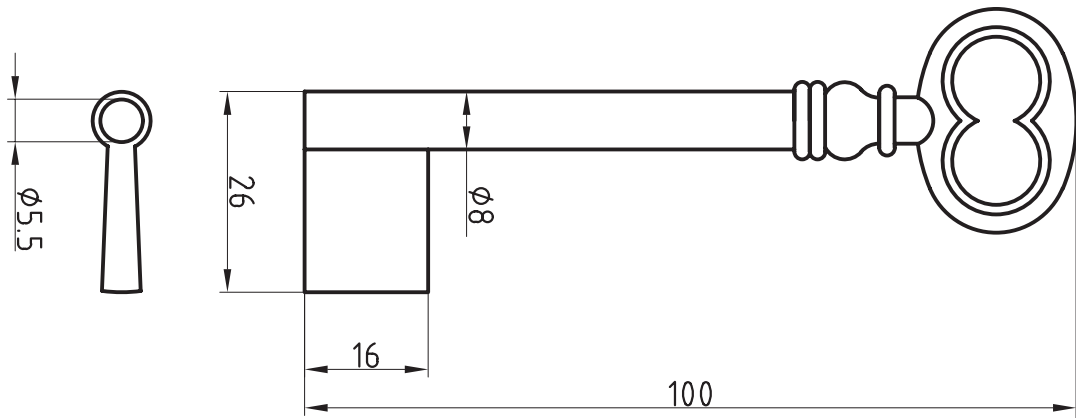




SINGLE BIT
KEYS

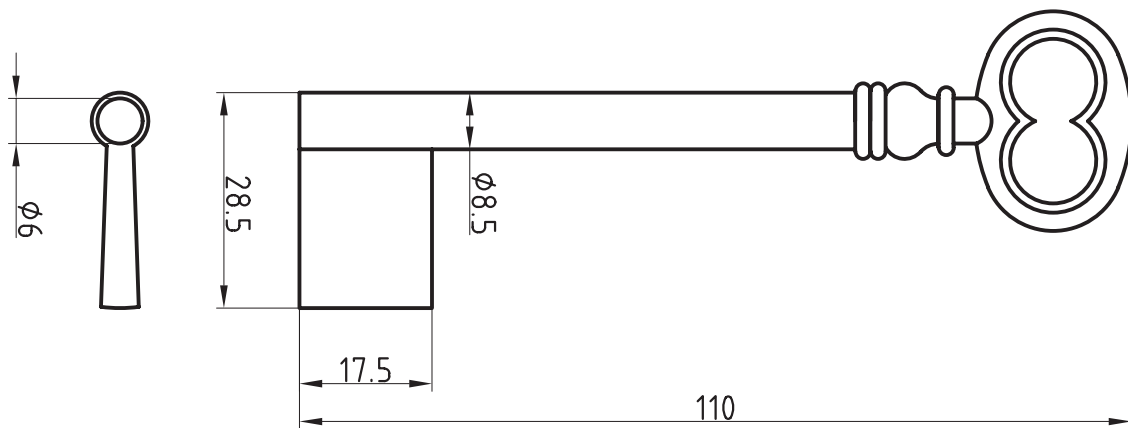
AG 998

Article-No. 1246G



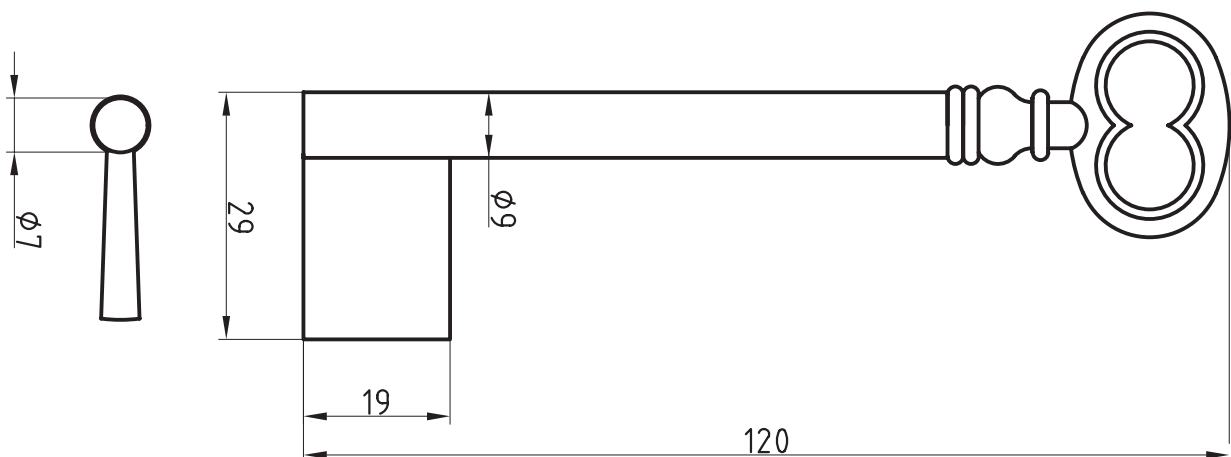
AG 998

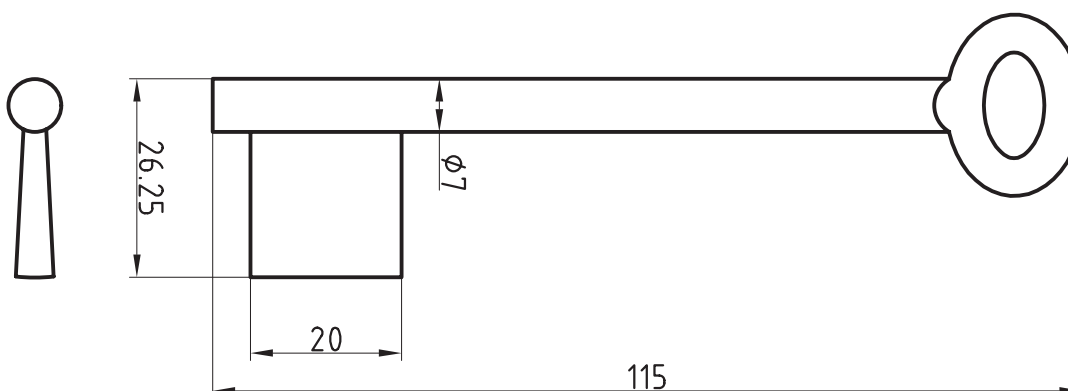
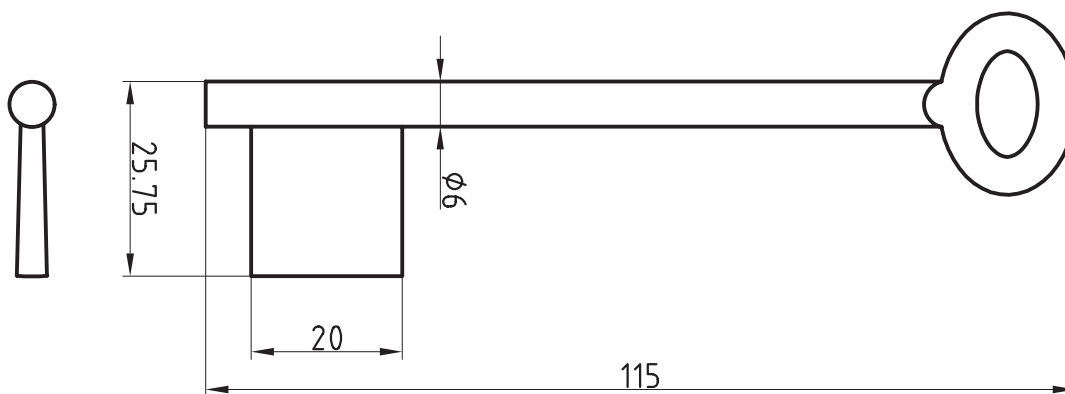
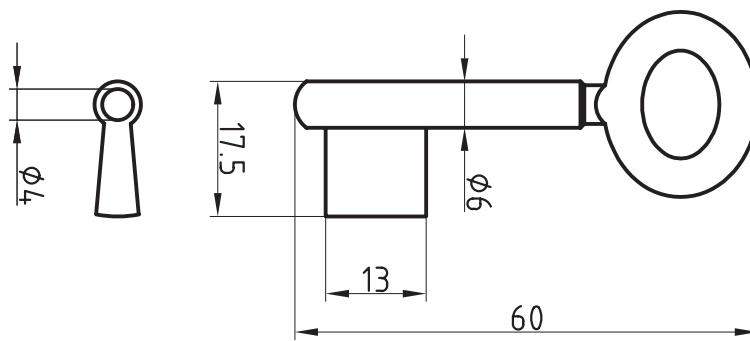
Article-No. 1247G



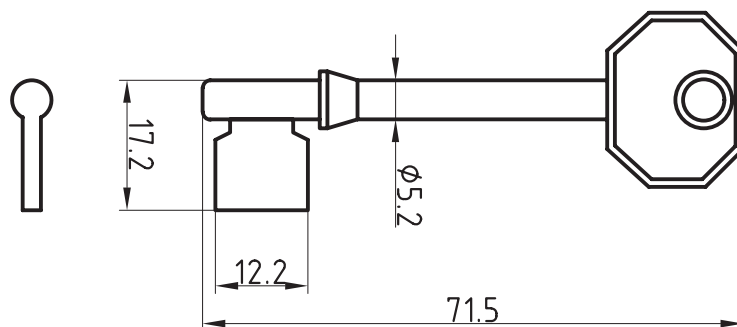
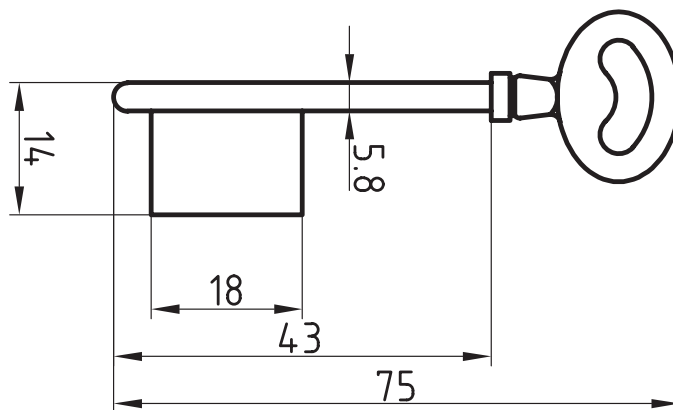
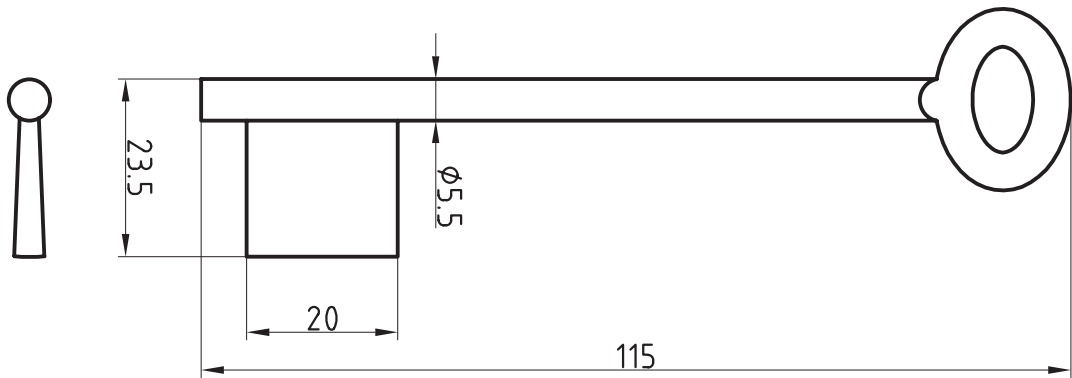
AG 998

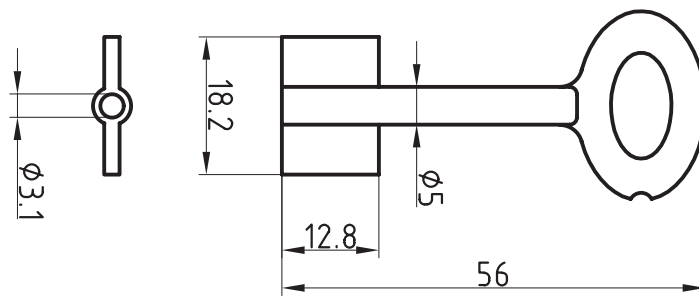
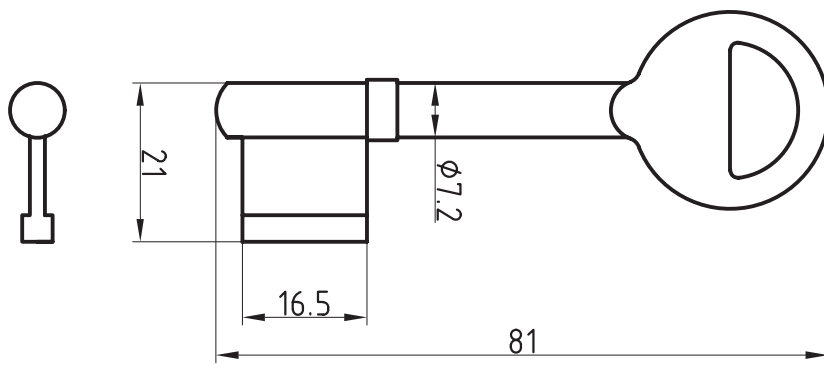
Article-No. 1248G





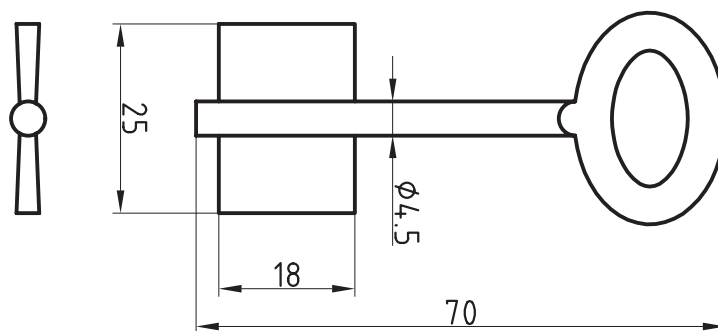
SINGLE BIT KEYS

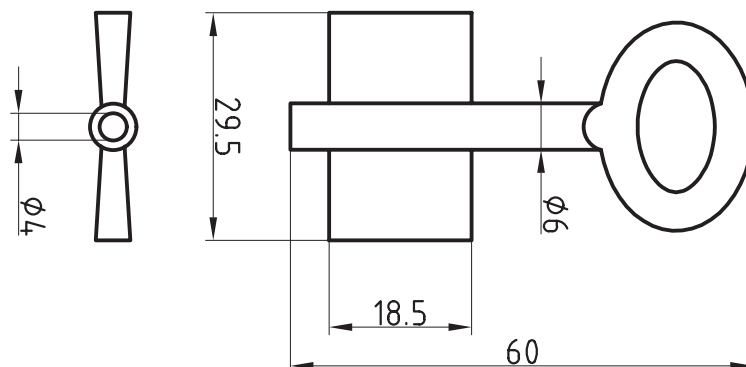
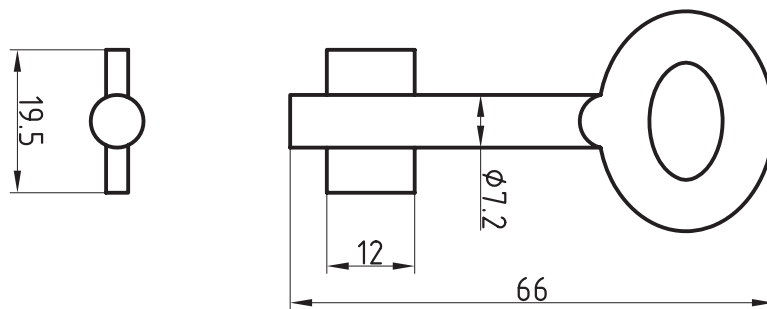
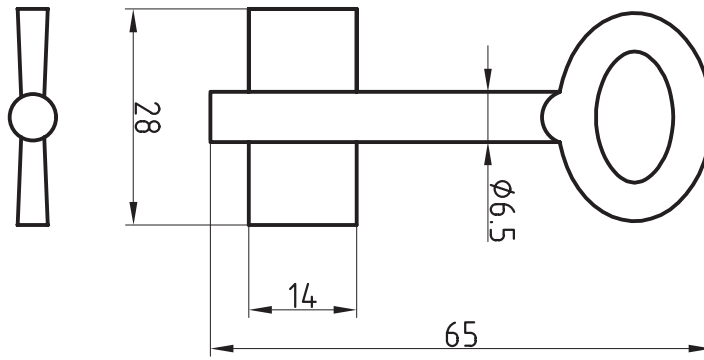


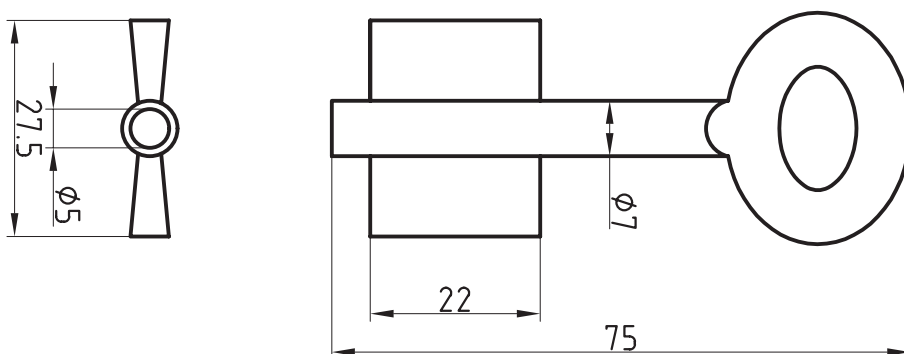
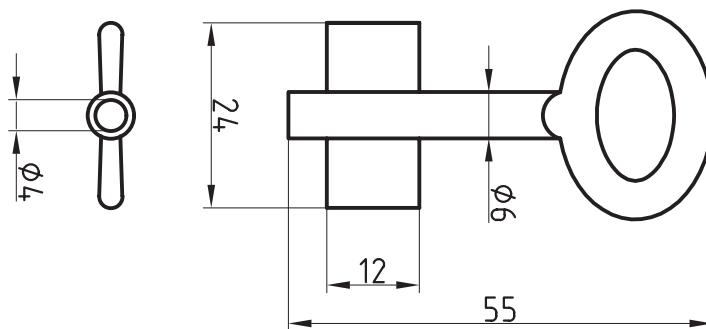
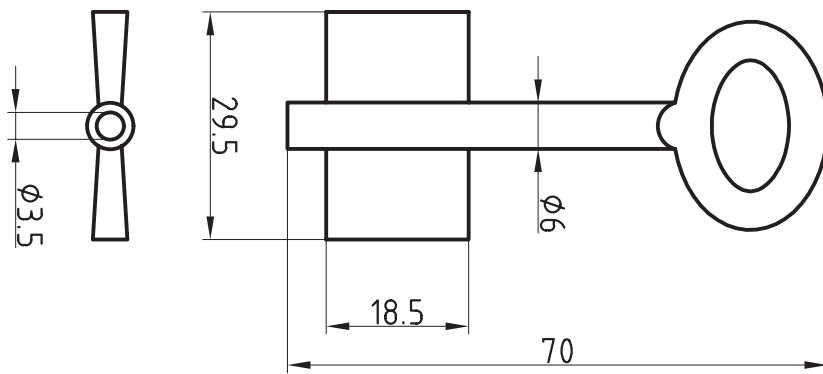


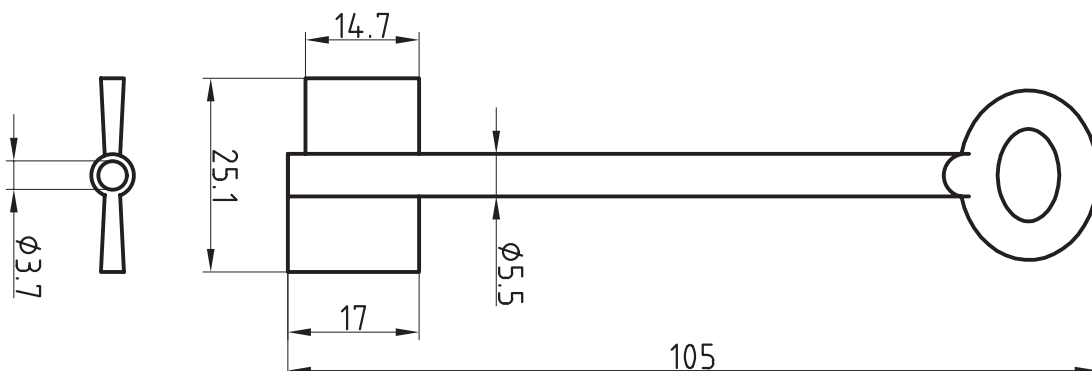
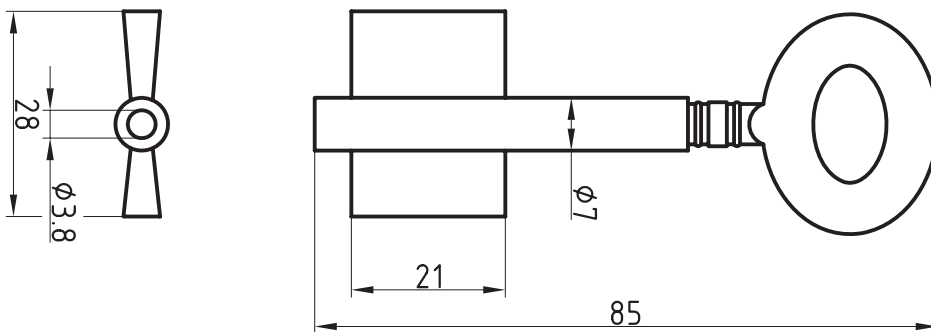
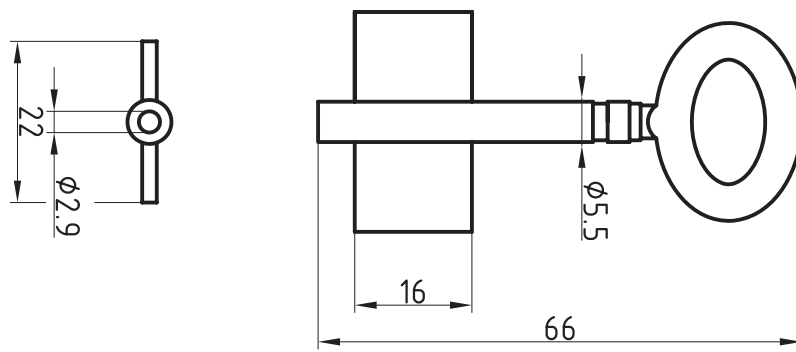
SINGLE BIT KEYS

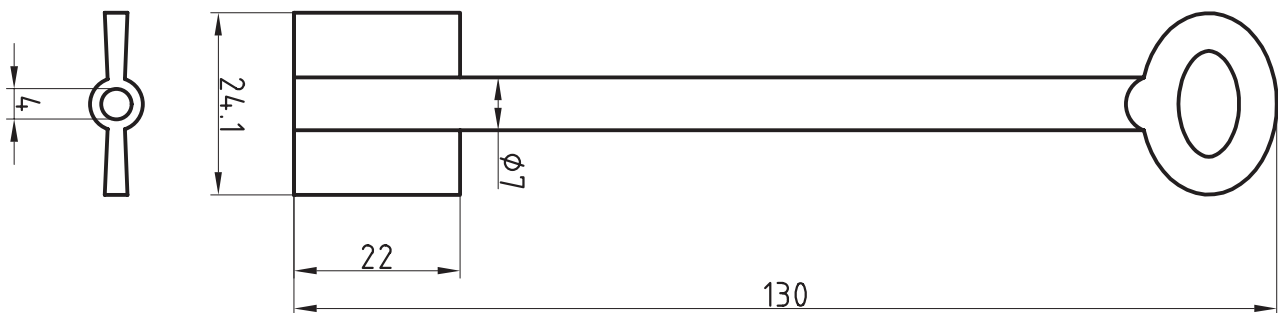
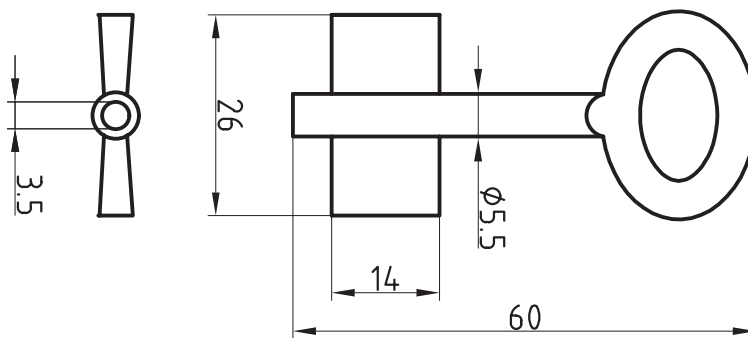
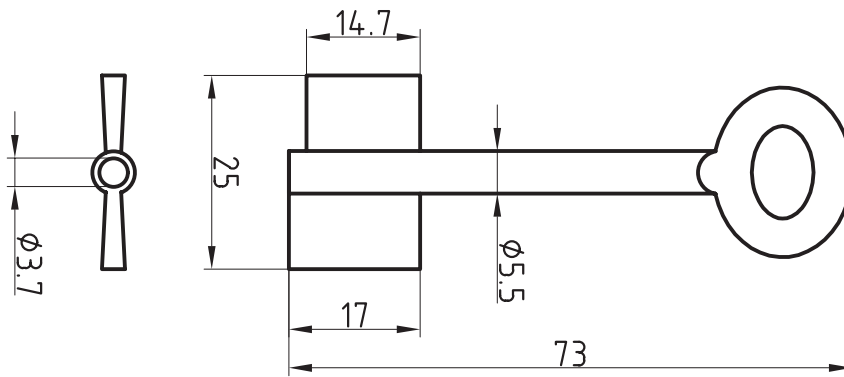
DOUBLE BIT KEYS



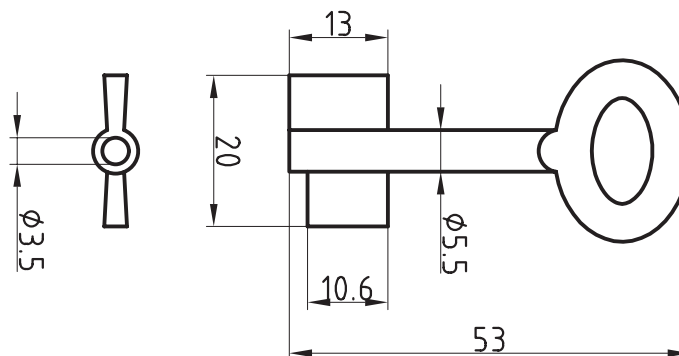
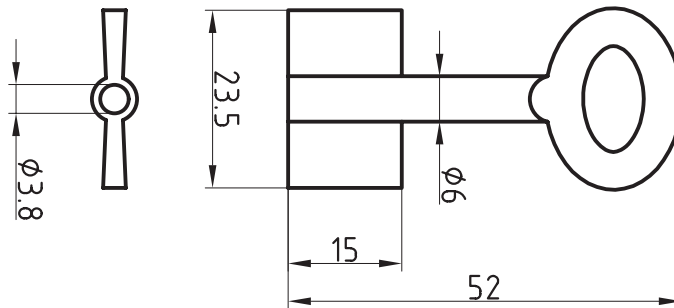
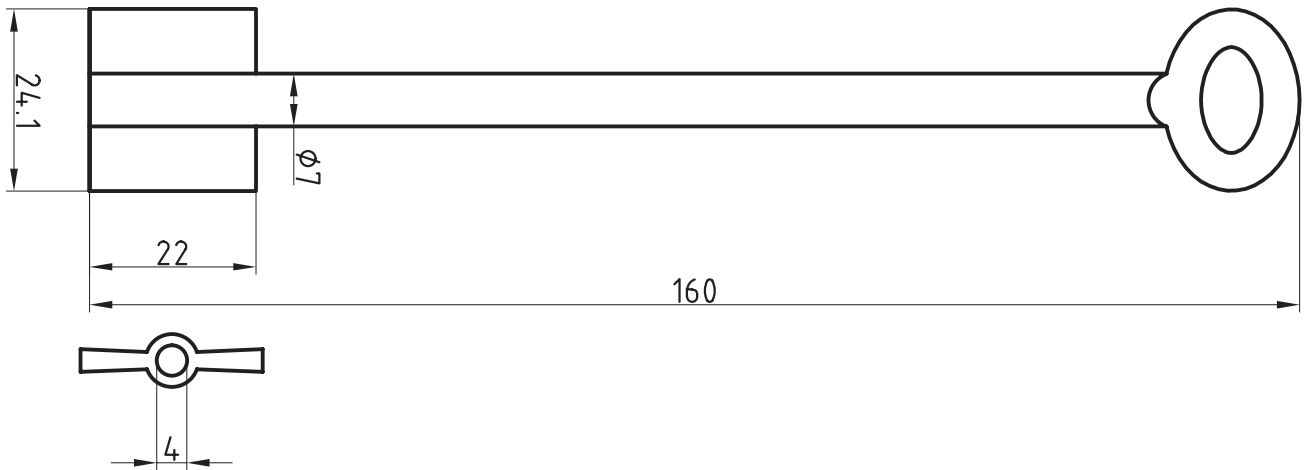


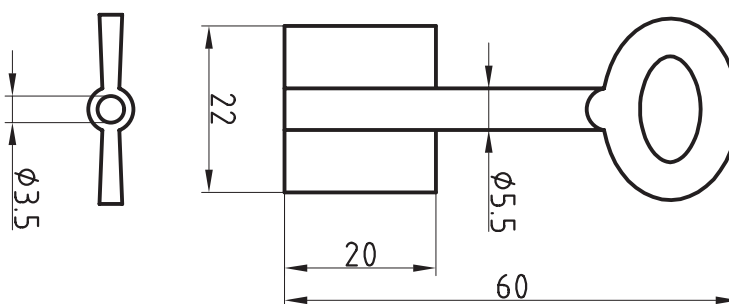
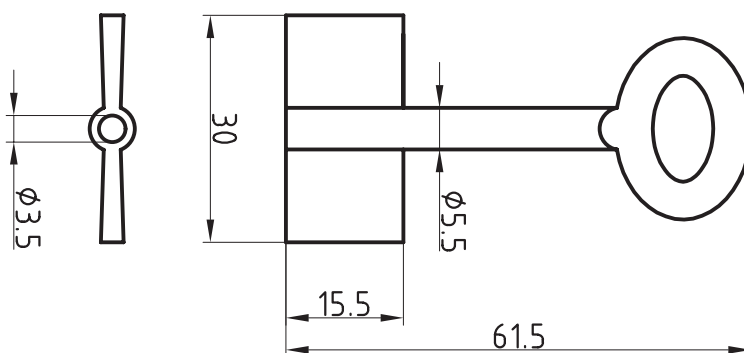
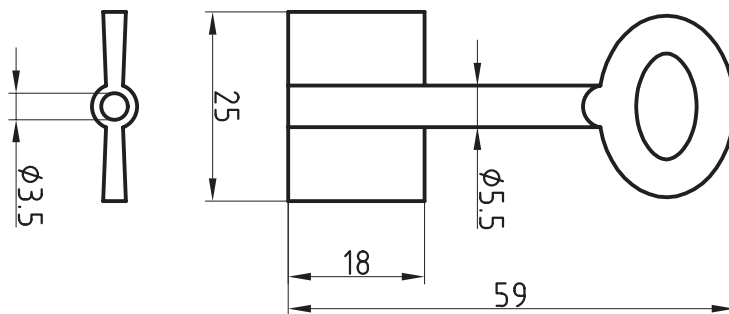


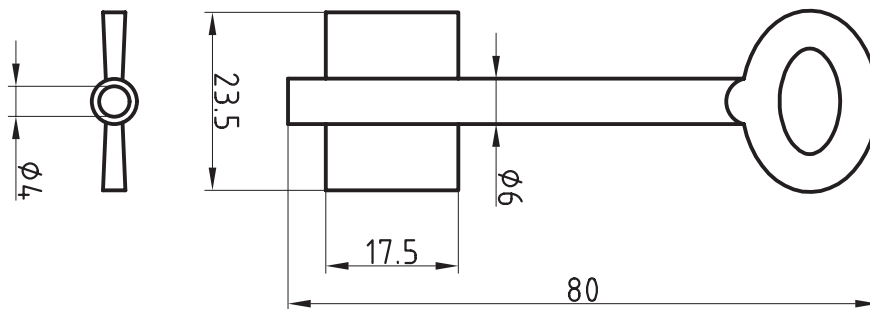
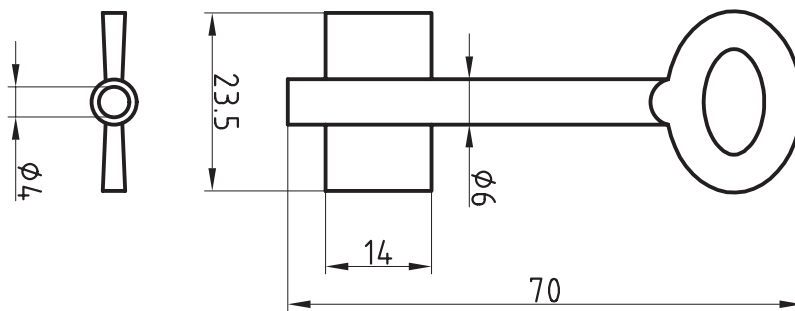
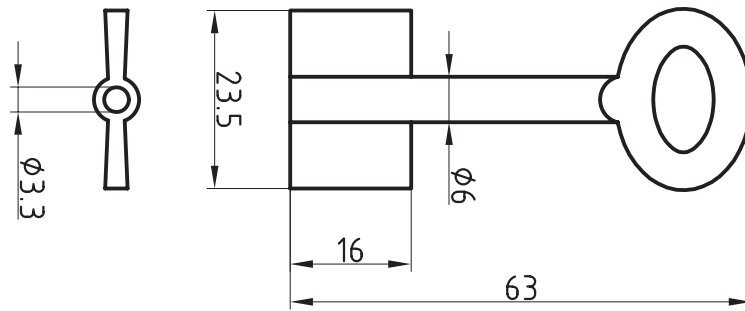


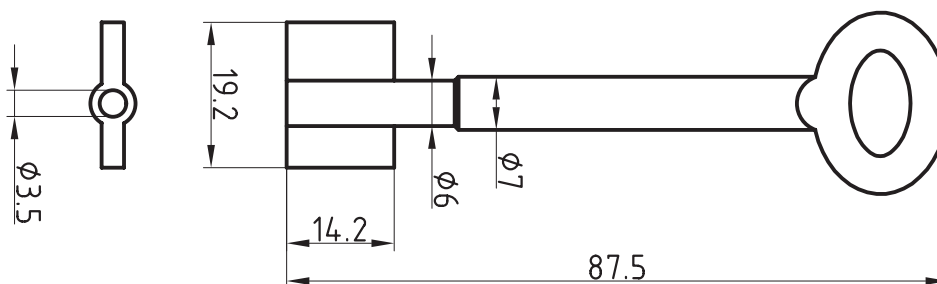
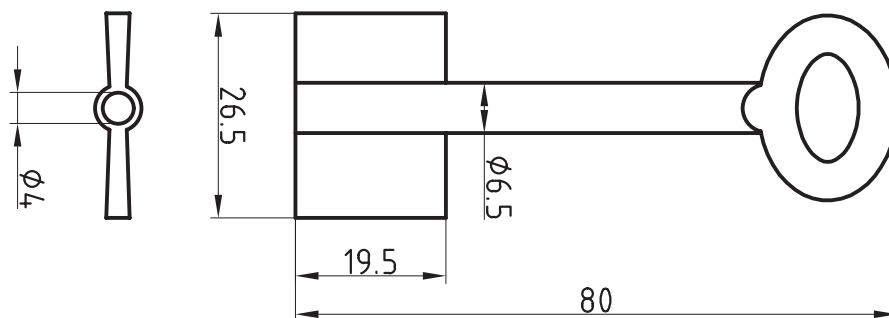
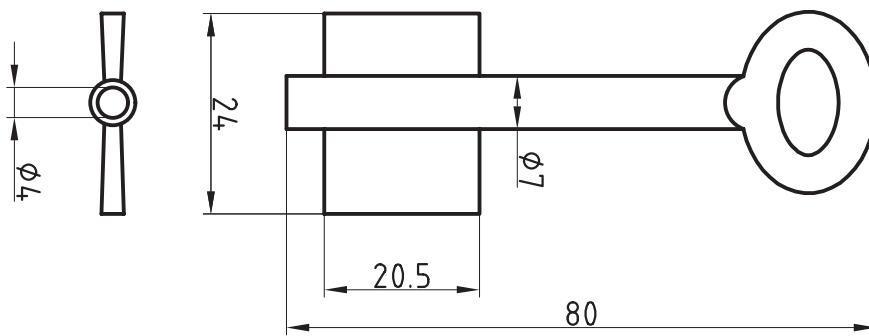


DOUBLE BIT KEYS

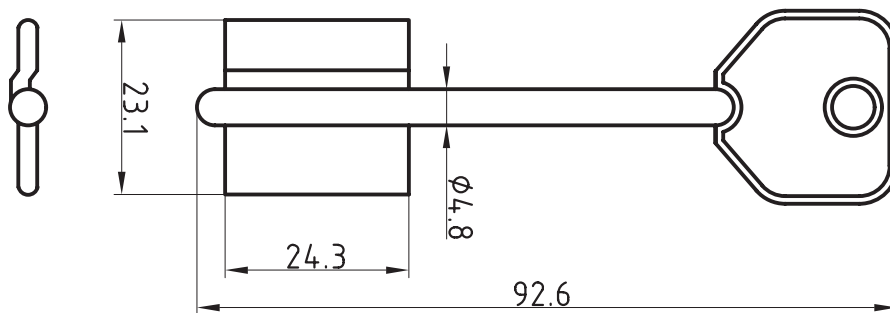
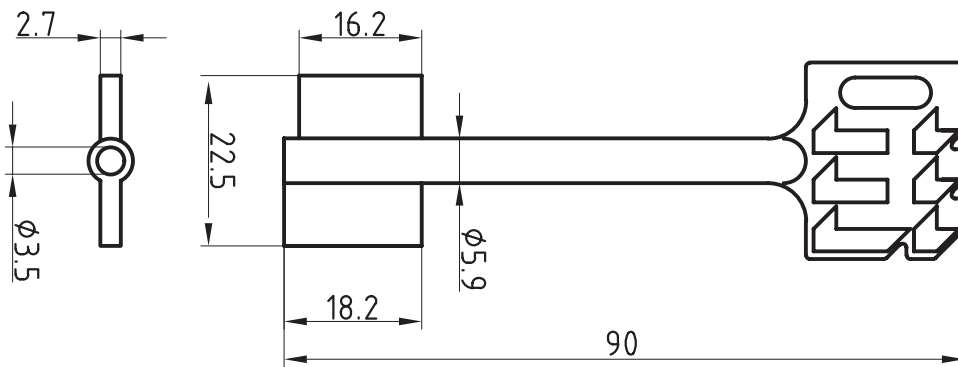
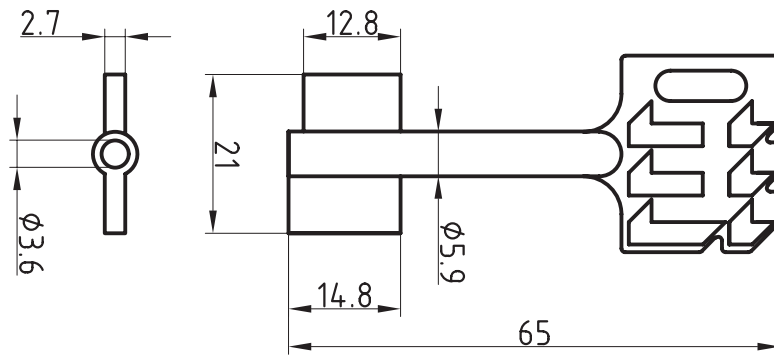


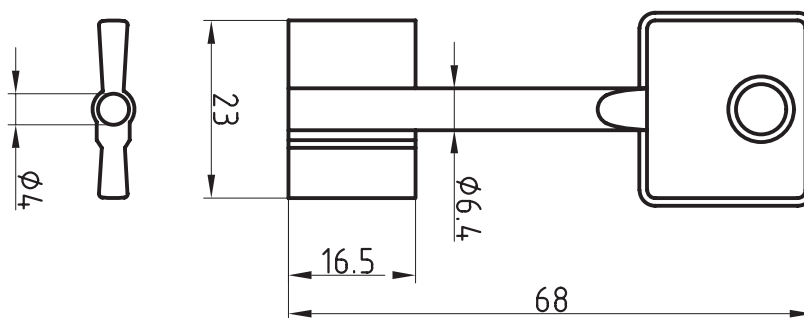
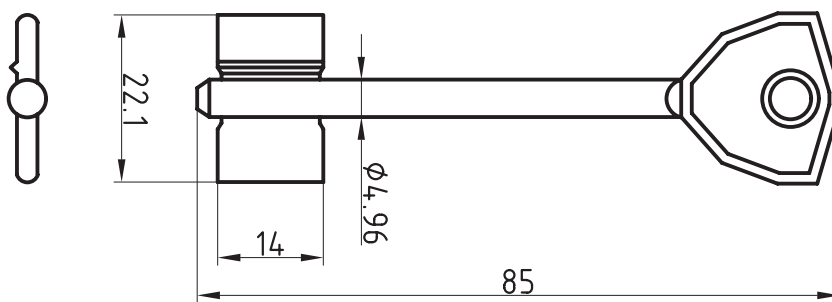
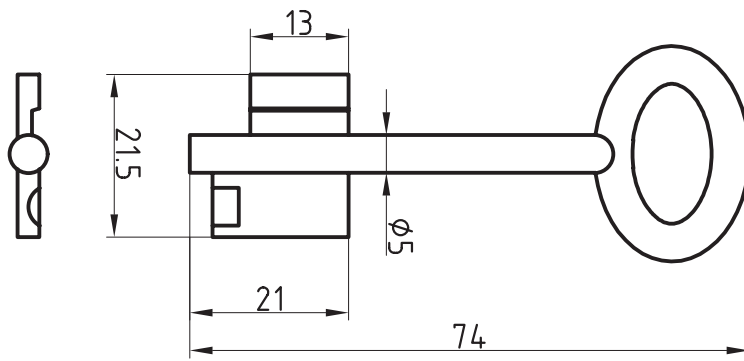


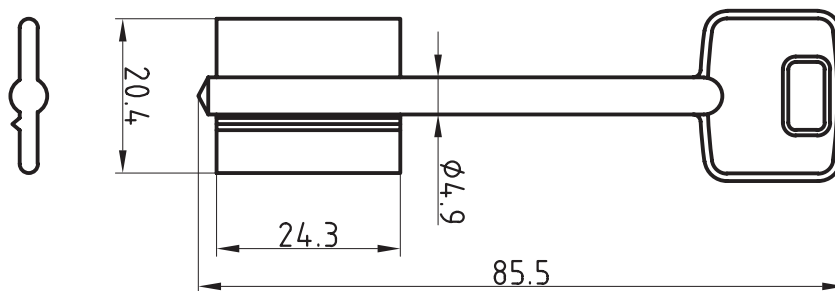
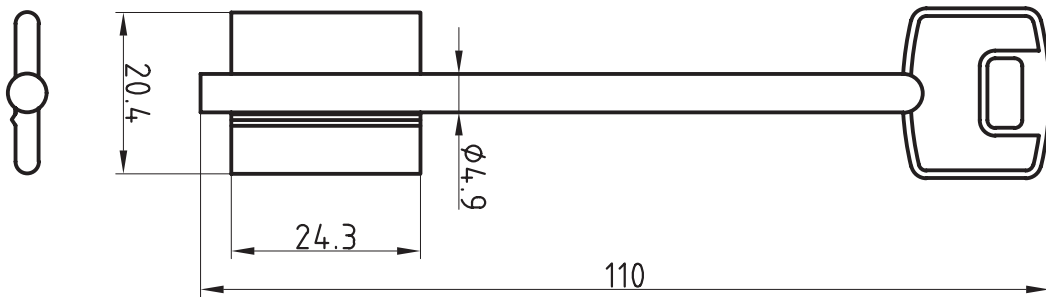
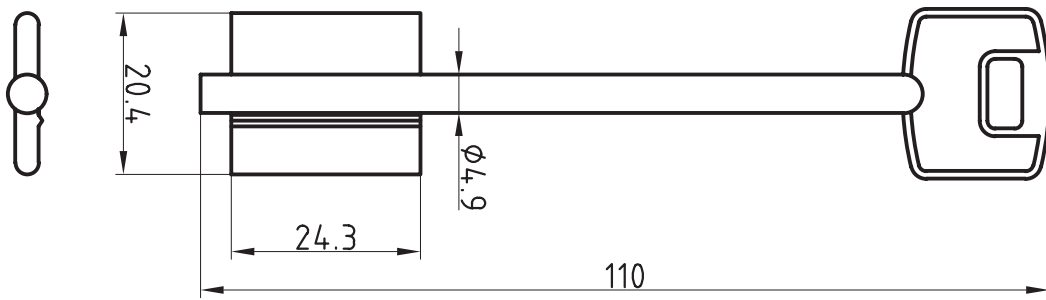


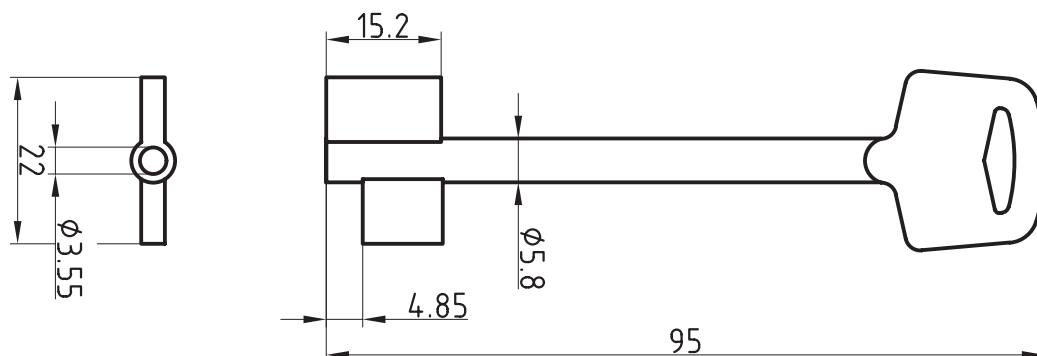
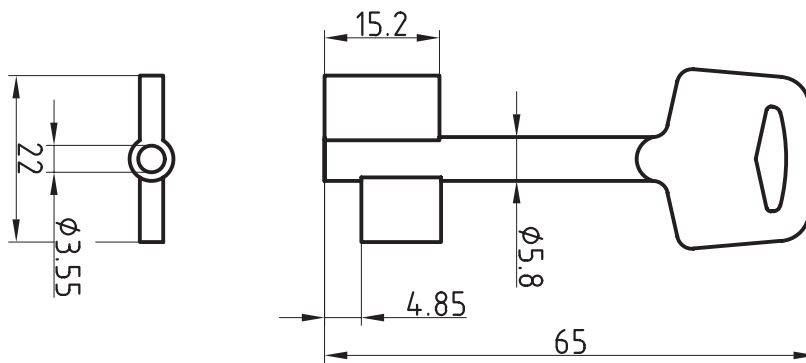
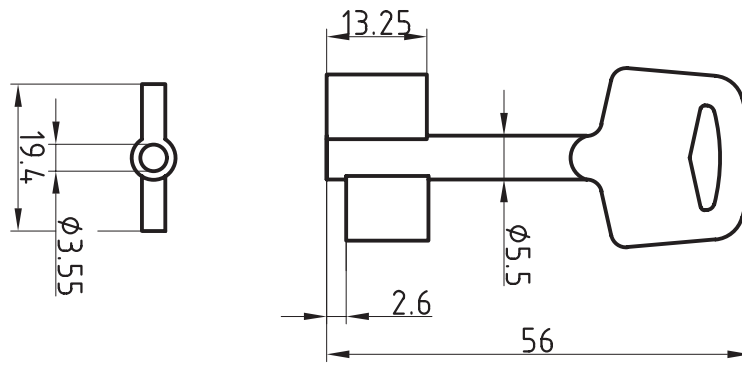


DOUBLE BIT
KEYS

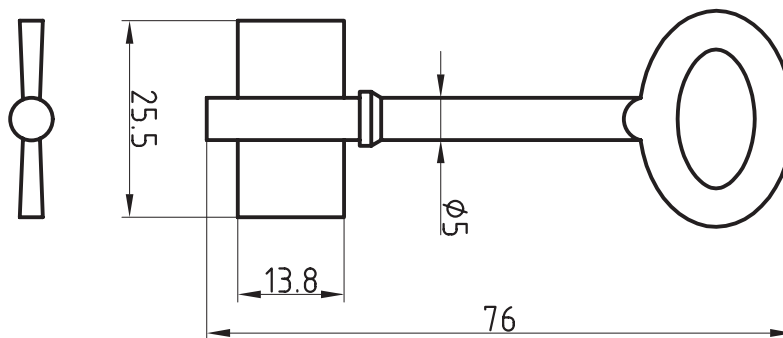
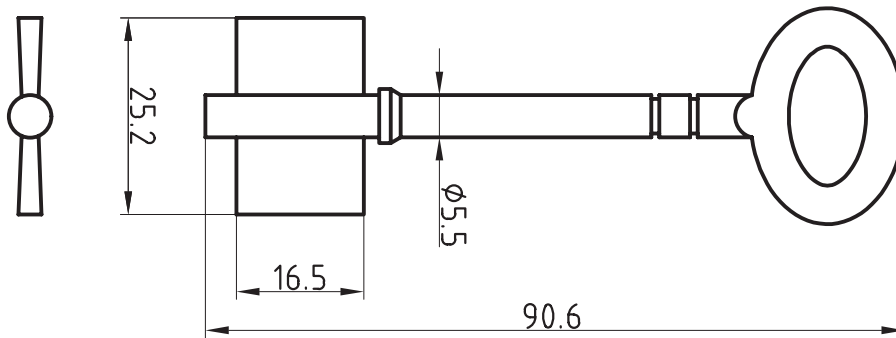
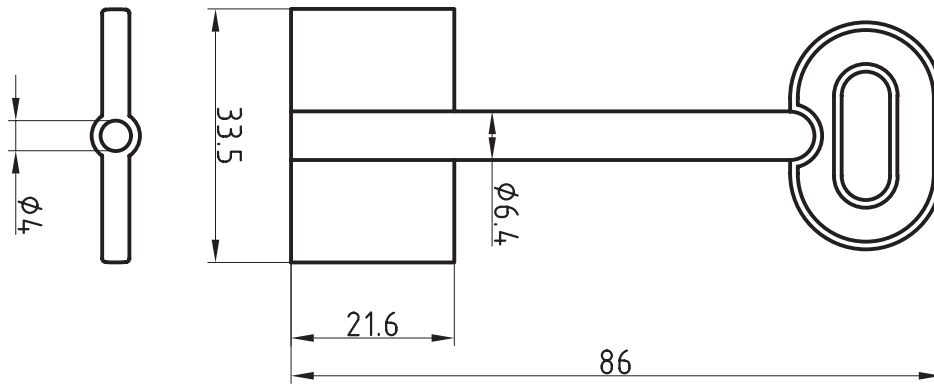


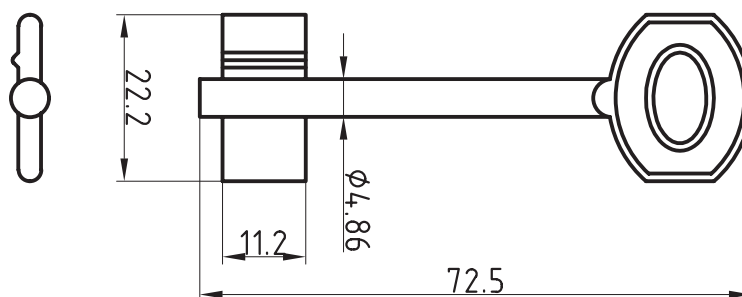
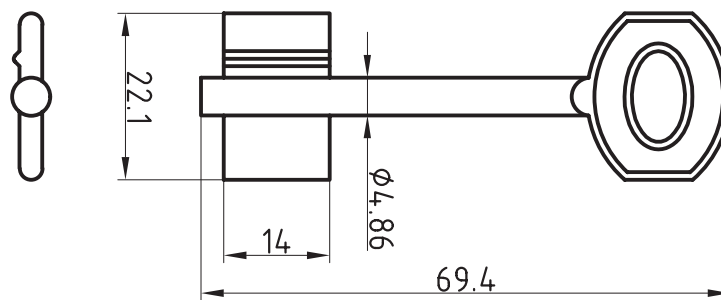
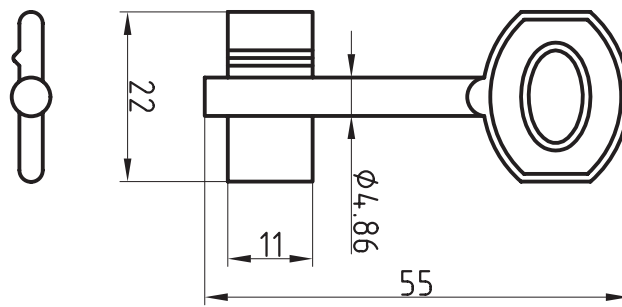


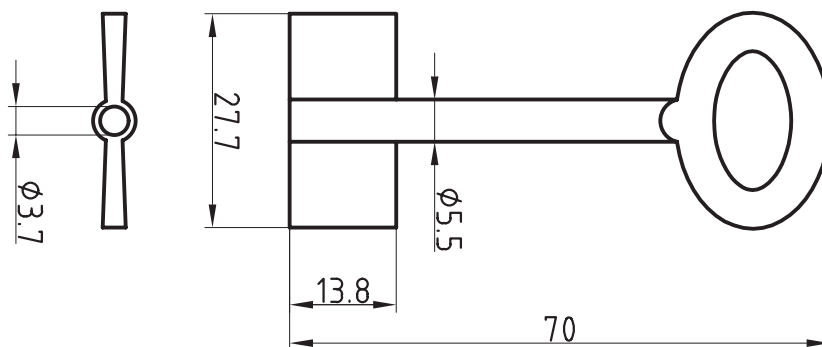
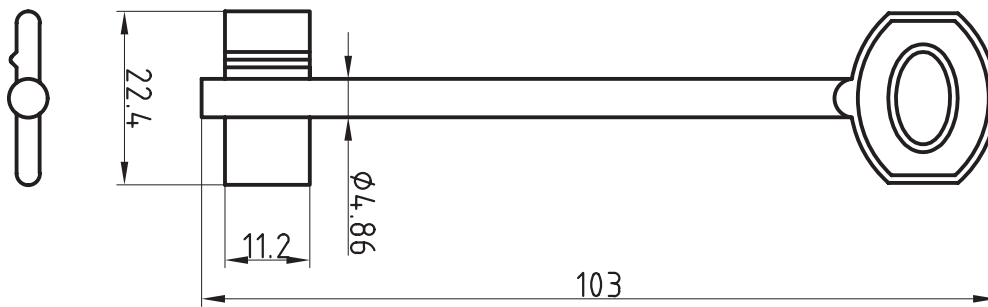
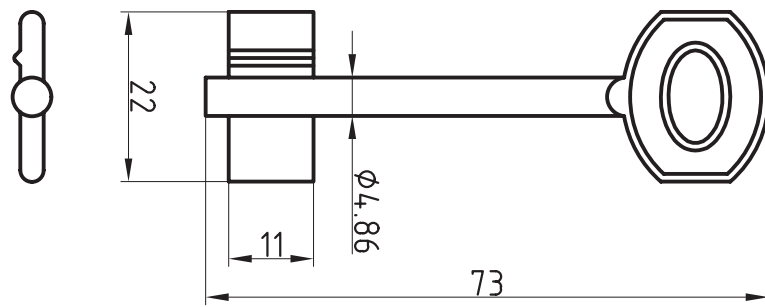


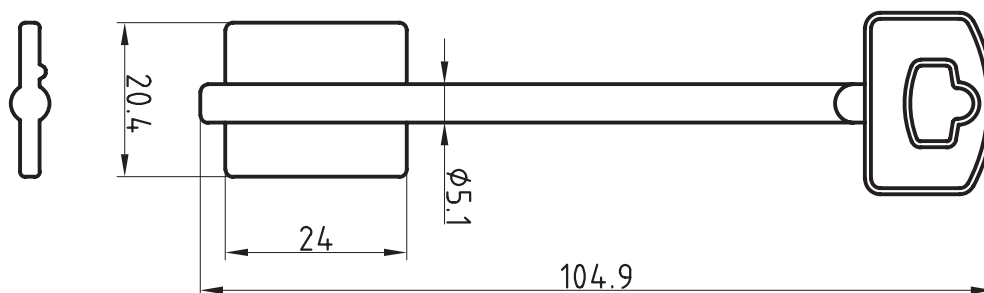
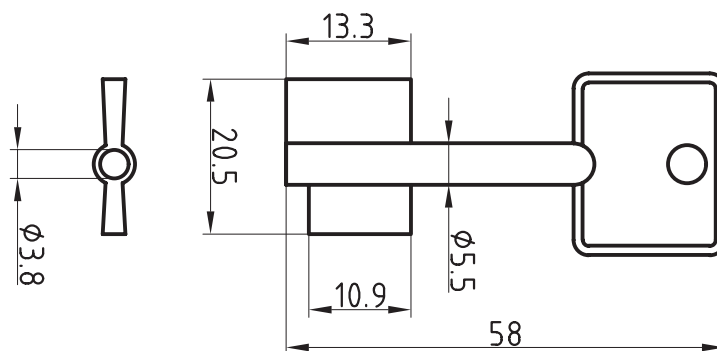
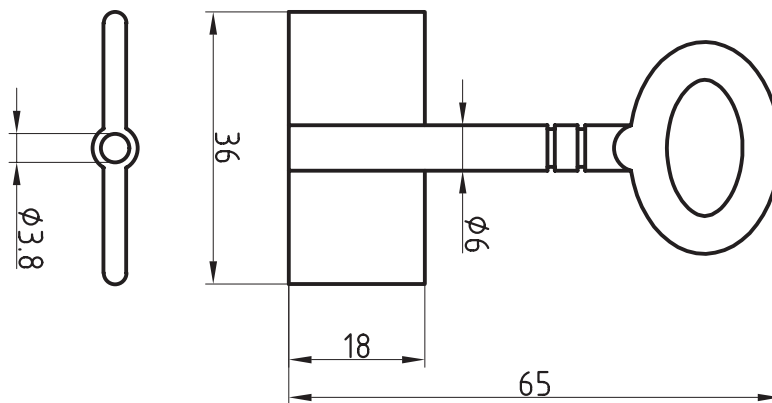


DOUBLE BIT
KEYS

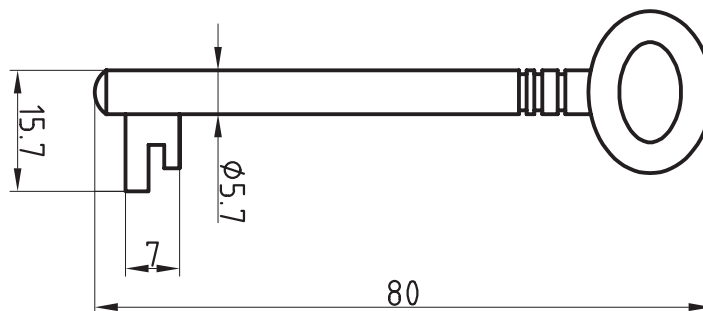
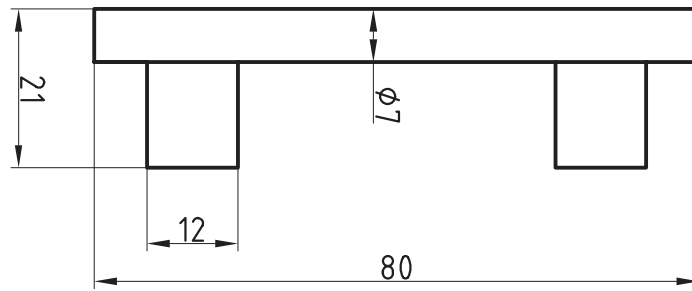


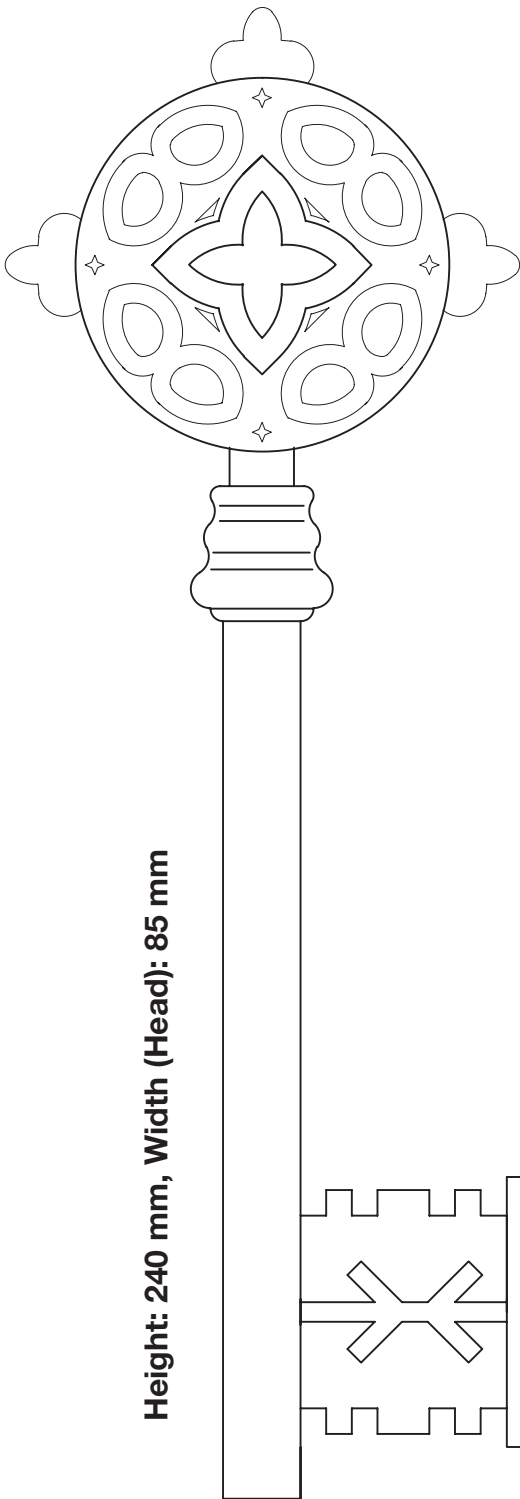




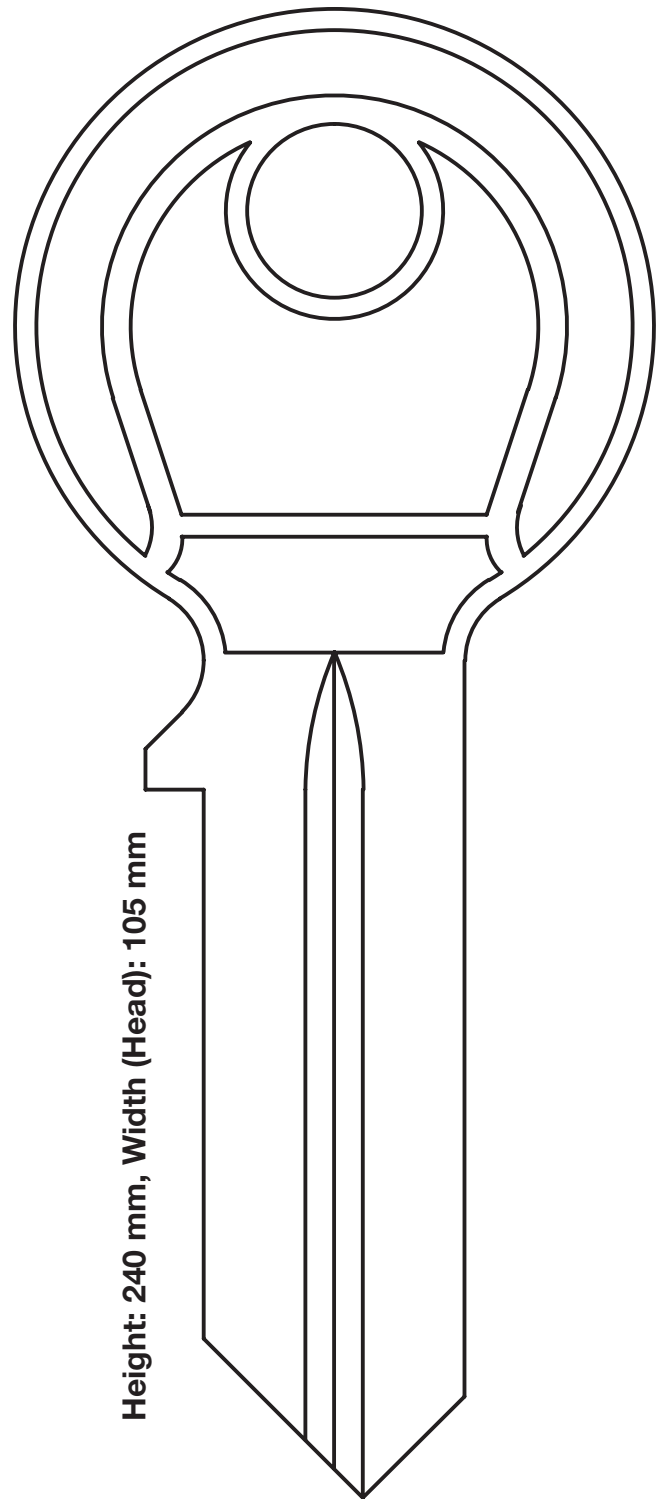


DOUBLE BIT
KEYS





Height: 240 mm, Width (Head): 85 mm



Height: 240 mm, Width (Head): 105 mm

Article-No. A9-CM

AG 14X

Brass Cast, Polished

Article-No. A9-EC (Without Key)

AG 14X

Case (Plastic Box With Velvet Inlay)

Article-No. A9-ZM

AG 14X

Brass Cast, Polished

Article-No. A9-EZ (Without Key)

AG 14X

Case (Plastic Box With Velvet Inlay)

VOLGA BIT is the latest model of JMA machines for the cutting of mortice keys. In a compact size it incorporates all the necessary elements for cutting a wide variety of mortice keys with total precision. Its main novelty is the incorporation of a two-height clamp system, with which you can cut keys of any length. Likewise, the clamps have specific fastenings to hold the tip of the „male“ type keys, and counterpoints for the cutting of the „female“ keys and short „male“ keys.

The design of the machine is based on the comfort and speed of handling in the cutting process. The systems for locking and swapping carriages, as well as the carriage movement system, operated by means of rollers guides, make the work much easier.



Version	
Dimension	
H260 x B370 x T460	
cutter FP19 HSS	80 x 1,4 x 16 mm
wire brush	75 x 10 x 13 mm
carriage for vertical cuttings	

Articel-No.
3000-0045
3000-FP19
4010-0014
3000-0046

Semi-automatic key-cutting machine for single- and double-bladed bit keys, pump keys and special keys.

The machine is very versatile thanks to its different optional carriages which enable you to copy Abloy, Ford and wave type keys.

There are two levers for safe use of the machine, one for lateral and depth movement and another for the rounded area of the bit key teeth.



Version	
Dimension	
H280 x B520 x T245	
cutter FP19 HSS	63 x 1,4 x 16 mm
wire brush	75 x 10 x 13 mm
carriage for vertical cuttings	

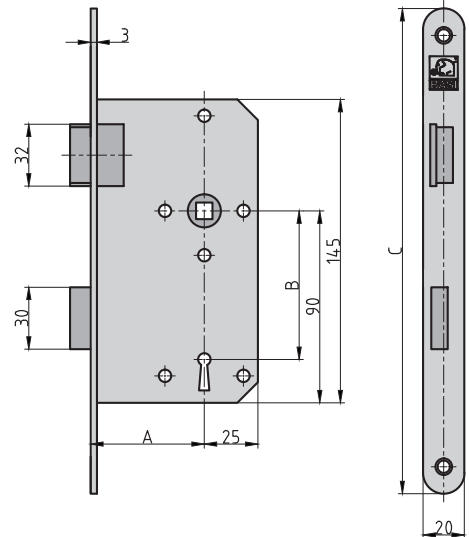
Articel-No.
3000-0002
3000-FP8
4010-0015
3000-0106

ES 922 Interior Door Mortise Lock BB

AG 1J



- ♦ according to DIN 18251-1
- ♦ class 1
- ♦ for seamed doors
- ♦ face plate: nickel-silver lacquered
- ♦ latch and bolt: plastic
- ♦ 1 key



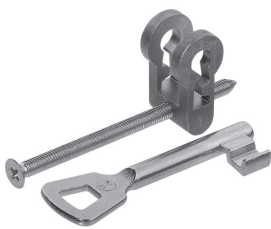
Version						Article-No.
A	B	C	□	DIN	Face Plate	
55	72	235	8	R		9220-5511
55	72	235	8	L		9220-5512

Suitable Key Blank

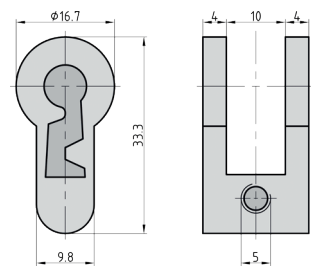
key blank	series 2009
-----------	-------------

BE 90 Lever-Lock Conversion Set

AG 1X



- ♦ for mortise locks with PZ-hole
- ♦ 1 key



Version	Article-No.
KA 1	9000-0001
KA 2	9000-0002
KA 3	9000-0003

Suitable Key Blank

key blank	series 2000
-----------	-------------



IT IS THAT
SIMPLE !



+ PRODUCT VARIETY

+ BEST CONDITIONS

+ EASY ORDER PROCESS

Order 24/7 at the best conditions – it's simple and comfortable at www.basi.eu.
Through your ordering history you will find your regular items fast and the tracking can easily be followed up. New items shop up early in the web shop.

Contents Special Keys - According to Article Numbers

Article-No.	Category	Page	Article-No.	Category	Page	Article-No.	Category	Page
5ME1	Double Bit Keys	44	1622G	Double Bit Keys	46	8372TA	Double Bit Keys	48
27M	Case Lock Keys	14	2000	Warded Keys	5	8606	Double Bit Keys	48
77	Chubb Keys	16,17	2000L	Warded Keys	5	8913	Double Bit Keys	48
126N-60G	Chubb Keys	17	2001	Warded Keys	6,7	8916	Double Bit Keys	49
138	Warded Keys	4	2002	Warded Keys	8	8951	Double Bit Keys	49
139	Warded Keys	4	2004	Warded Keys	10	8953	Double Bit Keys	49
202G	Single Bit Keys	34	2005	Warded Keys	9	8958	Double Bit Keys	50
203G	Single Bit Keys	34	2007	Warded Keys	11	8958-1	Double Bit Keys	50
204G	Single Bit Keys	34	2009	Warded Keys	11	8961	Double Bit Keys	50
205G	Single Bit Keys	35	2010	Warded Keys	12	8963	Double Bit Keys	51
206G	Single Bit Keys	35	2011	Warded Keys	12	8972	Double Bit Keys	51
207G	Single Bit Keys	35	2025	Warded Keys	13	8980	Double Bit Keys	51
208G	Single Bit Keys	36	2027	Case Lock Keys	14	8981	Double Bit Keys	52
209G	Single Bit Keys	36	2053	Chubb Keys	18	8983	Double Bit Keys	52
212G	Single Bit Keys	36	2090	Case Lock Keys	15	8990	Double Bit Keys	52
213G	Single Bit Keys	37	2150	Furniture Keys	19	9706	Single Bit Keys	42
220G	Single Bit Keys	37	2150.5	Furniture Keys	19	9707	Single Bit Keys	42
221G	Single Bit Keys	37	2151	Furniture Keys	20	9755	Single Bit Keys	43
225G	Single Bit Keys	38	2151.5	Furniture Keys	20	61005	Special Keys	61
234G	Single Bit Keys	38	2170	Furniture Keys	21	88844	Double Bit Keys	53
236G	Single Bit Keys	38	2171	Furniture Keys	21	88845	Double Bit Keys	53
239G	Single Bit Keys	39	2230-.....	Furniture Keys	22	A-1G	Furniture Keys	28
301D	Drift Keys	30	2235-.....	Furniture Keys	22	A-4G	Furniture Keys	29
301V	Drift Keys	30	2237-.....	Furniture Keys	22	A9-.....	Handing Over Key	62
302A	Construction Keys	33	2261-.....	Letterbox Keys	29	AD-1	Single Bit Keys	43
306	Construction Keys	31	2523	Special Keys	61	AS-3G	Chubb Keys	18
306.5	Construction Keys	31	2600	Warded Keys	13	ATR-2G	Double Bit Keys	53
307	Construction Keys	31	2805-.....	Furniture Keys	22	BASI-T1	Double Bit Keys	54
307.5	Construction Keys	31	2814-.....	Furniture Keys	23	BOD-1G	Double Bit Keys	54
310A	Drift Keys	30	2816-.....	Furniture Keys	23	BUR-1G	Double Bit Keys	54
323	Drift Keys	30	2848-.....	Furniture Keys	23	Ci-3G	Double Bit Keys	55
330	Construction Keys	33	2849-.....	Furniture Keys	23	Ci-4G	Double Bit Keys	55
601G	Double Bit Keys	44	2854-.....	Furniture Keys	24	Ci-6G	Double Bit Keys	55
620G	Double Bit Keys	45	2855-.....	Furniture Keys	24	CW8230	Double Bit Keys	56
668N	Construction Keys	32	2870-.....	Furniture Keys	24	CW8231	Double Bit Keys	56
668NK	Construction Keys	32	2900-.....	Furniture Keys	24	CW8232	Double Bit Keys	56
814	Double Bit Keys	45	2901-.....	Furniture Keys	25	DV-17G	Double Bit Keys	57
1214G	Single Bit Keys	39	2902-.....	Furniture Keys	25	ER-5G	Single Bit Keys	43
1242G	Single Bit Keys	39	2903-.....	Furniture Keys	25	G85K	Double Bit Keys	57
1243G	Single Bit Keys	40	2905-.....	Furniture Keys	25	G86K	Double Bit Keys	57
1244G	Single Bit Keys	40	2906-.....	Furniture Keys	26	JW-20G	Double Bit Keys	58
1245G	Single Bit Keys	40	2911-.....	Furniture Keys	26	JW-30G	Double Bit Keys	58
1246G	Single Bit Keys	41	2912-.....	Furniture Keys	26	JW-40G	Double Bit Keys	58
1247G	Single Bit Keys	41	2913-.....	Furniture Keys	26	JW-45G	Double Bit Keys	59
1248G	Single Bit Keys	41	2915-.....	Furniture Keys	27	JW-70G	Double Bit Keys	59
1252G	Letterbox Keys	29	2918-.....	Furniture Keys	27	S421	Double Bit Keys	59
1254G	Single Bit Keys	42	2919-.....	Furniture Keys	27	S713	Single Bit Keys	44
1255G	Furniture Keys	27	6805	Furniture Keys	28	S764	Double Bit Keys	60
1256G	Furniture Keys	28	6806	Furniture Keys	28	S800	Double Bit Keys	60
1606G	Double Bit Keys	45	8166STM	Double Bit Keys	47	SEC-3G	Double Bit Keys	60
1607G	Double Bit Keys	46	8181STM	Double Bit Keys	47			
1617G	Double Bit Keys	46	8310TA	Double Bit Keys	47			



BASI GmbH

Konstantinstraße 387
41238 Mönchengladbach
Germany

Phone: +49 (0) 21 66 / 98 56-0
Fax: +49 (0) 21 66 / 98 56-55

sales@basi.eu
www.basi.eu



General Manager:
Klaus Haselhorst

VAT DE 120824992
District Court Mönchengladbach
HRB 2609