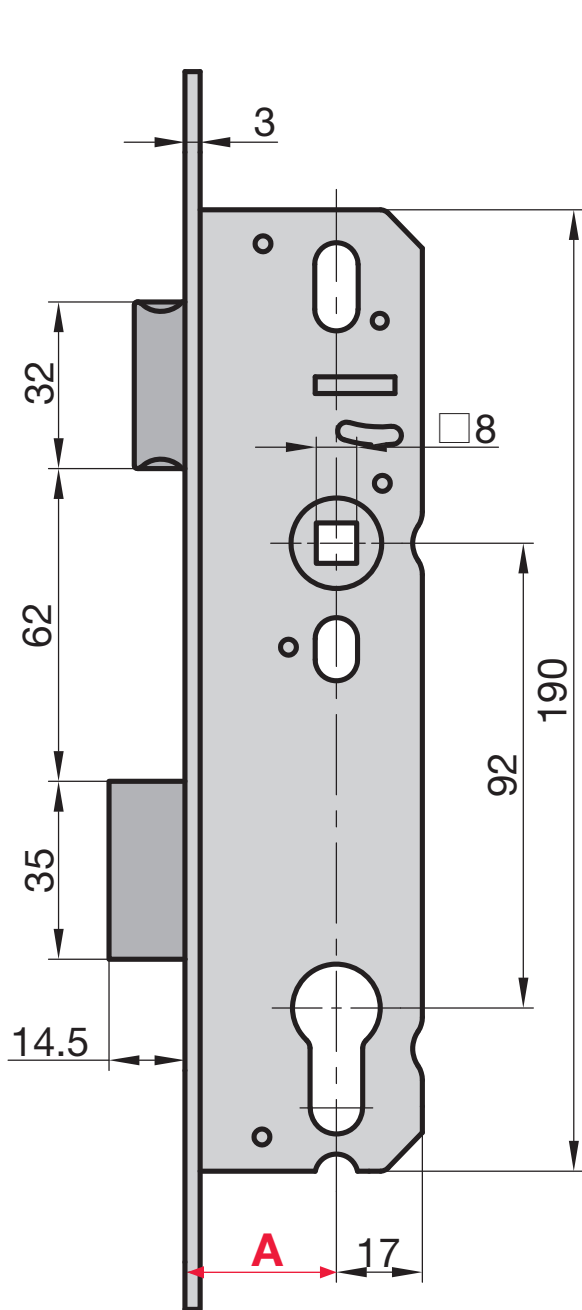
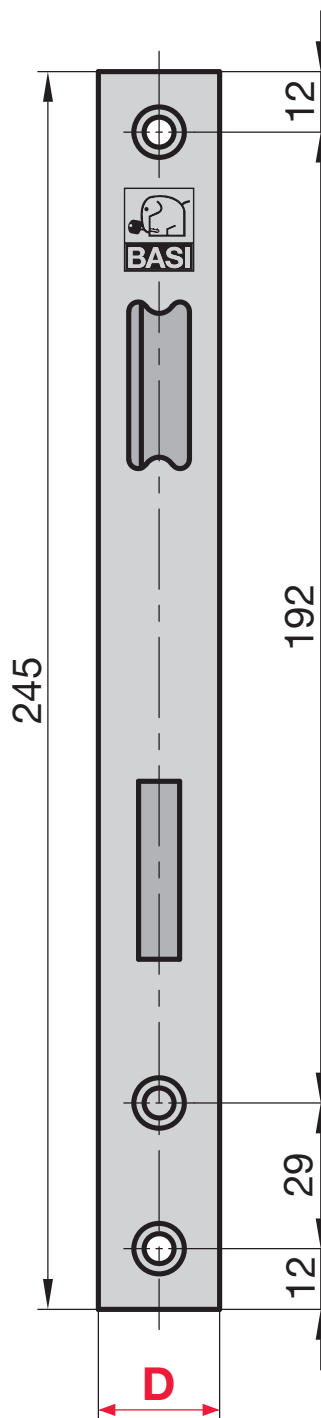


Mortise Lock For Tubular Frame Doors

Choose. Measure. Order.



Backset A	
<input type="checkbox"/>	25 mm
<input type="checkbox"/>	30 mm
<input type="checkbox"/>	35 mm
<input type="checkbox"/>	40 mm



Face Plate D	
<input type="checkbox"/>	16 mm flat
<input type="checkbox"/>	24 mm flat
<input type="checkbox"/>	24 mm U-type

