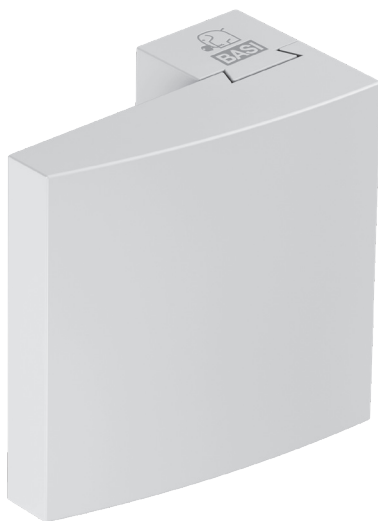


# Additional Window Protection FS 65



**solid construction**

**simple handling**

**easy assembling**



**ORIGINAL ASSEMBLY INSTRUCTIONS**



[facebook.com/BASIGmbH](https://facebook.com/BASIGmbH)



[@basi\\_gmbh](https://instagram.com/basi_gmbh)



[www.basi.eu](http://www.basi.eu)

## General information

### Intended use

The window and window door additional lock FS 65 offers additional protection to prevent unauthorised access to rooms. It can be mounted to single-leaf wooden or synthetic windows and window doors that open inward. As the additional lock can be unlocked without keys or tools, it is not suitable as a child's lock.

Optimum protection is only achieved if you follow these assembly instructions carefully.

Observe the information in these instructions on how to mount the additional lock correctly. Keep the assembly instructions in a safe place, in case you need to remove or replace the additional lock.

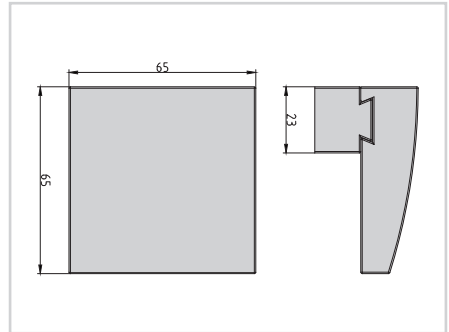


**Warning information:** If mounted correctly, there are no expected risks. Small parts and packaging materials can be swallowed by children and cause suffocation! Keep small parts and packaging materials away from children. Dispose of all packaging material immediately.

The window and window door additional lock FS 65 protects your windows and window doors against burglary.

Without any visible impairment, it can be mounted to one or several points on the window or window doors as required. After locking, they can click into position automatically and can be unlocked without a key.

- Optimum security: Makes it difficult to pry open the window and door leafs with rotary and tilting systems.



- Suitable for all types of windows and window doors (for synthetic and wooden frames).

- Easy assembly: Suitable for attachment to the head and/or handle sides.

- Easy handling: The locks can be unlocked without keys.

The manufacturer expressly reserves the right to make technical changes.

### Disclaimer

The manufacturer will not be liable for damage and/or injuries resulting from incorrect handling and/or when mounting the product or when using the required tools. If you use electrical tools (e.g. power drill), observe all the safety information provided by the manufacturer of the tool.

### Scope of delivery

Check that the delivery is complete:

- 1x window lock (1)
- 1x attachment block (2)
- 2x special screw (3)
- 4x spacer discs

## Required tools

- screwdrivers
- power drill with matching drill bits
- measuring tape
- marking pen, scribing needle or similar

## General assembly information

- Before assembly, ensure that the windows or window doors can open and close smoothly.
- When drilling, ensure that moving parts, seals and the glass pane are not damaged.
- When drilling and tightening the screws, ensure that the drill / the screws do not come out on the rear side of the window frame. Adjust the length of the screws to the window frame and use a drill stop.
- Use a suitable screwdriver to tighten the attachment screws manually to avoid over-turning.
- Recommendation: Mount a second window and window door additional lock if the diagonal of the glass pane of the window exceeds 1 m.
- The lock is most effective if it is mounted about 150 – 200 mm from the lower or upper edge of the window leaf.

## Assembly steps

1. Close the window and measure the assembly position.
2. We recommend a distance of almost 200 mm from the end of the outer edges of the windows and window doors (see Figure 3):

3. Place the attachment block (2) onto the window frame. Ensure that there is a 2mm distance between the window leaf and attachment block.

4. Mark the borehole for the attachment screws and drill the holes in the window frame: Wooden windows: 4.0 mm; synthetic windows: 3.5 mm. Make sure that you do not drill through window frames. Use a drilling stop.

5. If necessary, place the shims below the attachment block. The lock must not rub against the window leaf during locking and unlocking.

6. Manually screw the attachment block tight using 2 screws.

## Operation

- To lock, push the slide of the window and window door lock FS 65 onto the attachment block.
- To unlock, push the slide of the window and window door lock FS 65 off the attachment block.

## Cleaning/maintenance

Any soiling on the window and window door additional lock FS 65 can be removed with a damp cloth.

## Disposal



Help the environment by disposing of the product and the packaging materials in line with the local regulations.

Figure 1: FS 65 windows and window doors additional lock

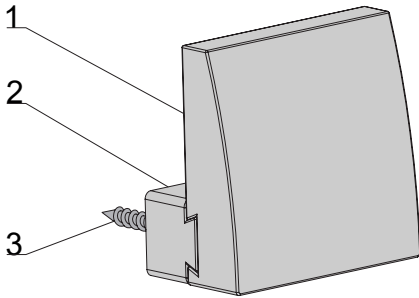


Figure 2: assembly of the attachment block

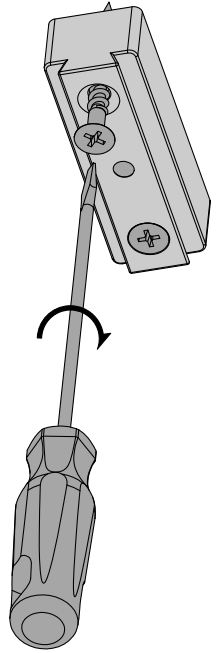


Figure 3: position of the additional lock

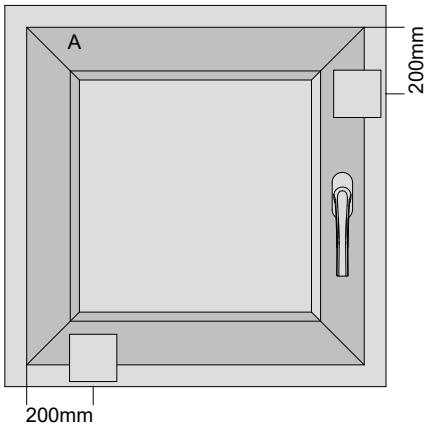
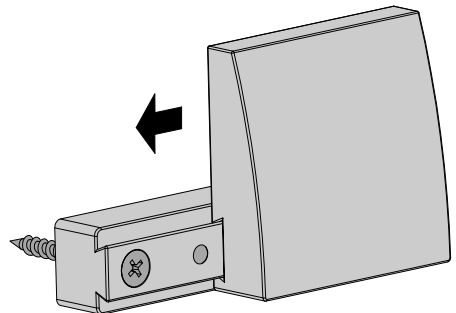


Figure 4: attachment of the window lock



## Technical data

- scope: Windows and window doors:  
single-leaf
- overlap height: 42 mm
- unlocking: without keys
- colours: white, brown

© Copyright

Reproduction or duplication  
(even in excerpts)  
is only possible with approval from:  
BASI GmbH  
Konstantinstraße 387  
41238 Mönchengladbach  
Germany

2023

This document, including all its parts,  
is protected by copyright.

Unless approved by BASI GmbH,  
any use outside the scope  
of the copyright is prohibited  
and punishable.

In particular, this applies to duplications,  
translations, microfiching and storage  
and editing in electronic systems.

BASI GmbH  
Konstantinstraße 387  
41238 Mönchengladbach  
Germany