

Window Handle lockable

FG 501



Burglar-proof and additional

protection for children

Easy to open and close

Stainless steel



ASSEMBLY INSTRUCTIONS

General notes

Follow the instructions in this manual to insert the window handle correctly.

WARNING! Small parts and packaging materials can be swallowed by children and lead to choking! Make sure that small parts and packaging materials do not get into the hands of children. Dispose of the packaging material immediately.



No hazards are to be expected if the device is used in accordance with the instructions and in a professional manner.

The manufacturer expressly reserves the right to make technical changes.

Disclaimer

The manufacturer accepts no liability for damage and/or injury resulting from improper handling.

Scope of delivery

Check that the delivery is complete:

- 1st window handle
2. Two keys
3. Assembly material and instructions

You will also need:

Phillips screwdriver

If necessary, drill with \varnothing 10 mm drill bit

Assembly instructions

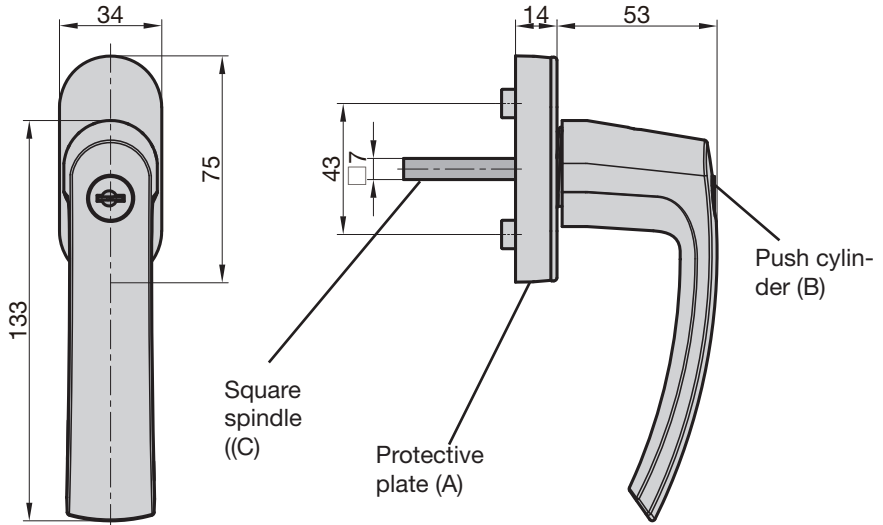
Please read carefully before installation!

The window handle is suitable for all timber, aluminium and PVC windows.

- 1) Disassembly of the existing window handle:
Move the window handle to a horizontal position. Lift the protective plate (A) and turn it horizontally. Unscrew the screws and keep them for reassembly if necessary.
- 2) Insert the window handle horizontally with the square spindle (C) into the square hole in the window sash.
- 3) Screw the screws at the top and bottom into the holes provided.
If there are no drill holes for the screws in the window sash, pre-drill two 6 mm deep screw holes using a \varnothing 10 mm drill bit.
- 4) Position the protective plate vertically.
- 5) Close the window by turning the handle to the vertical position.

Locking and unlocking

- 5) When the push cylinder (B) is pressed, the window handle is locked.
- 6) The key is used to unlock the push cylinder, allowing the window sash to be opened or tilted.
- 7) For the tilt position, turn the window handle upwards and pull.



© Copyright

Reproduction or duplication (even excerpts thereof) is forbidden without the consent of:
 BASI GmbH
 Konstantinstraße 387
 41238 Mönchengladbach
 Germany

2024

This publication, including all its parts, is protected by copyright.

Any use outside the narrow limits of copyright law without the consent of BASI GmbH is not allowed and is liable to prosecution.

This applies in particular to duplications, translations, microfilming and importing and processing in electronic systems.



Disposal

Help to protect the environment and dispose of the product and the packaging materials in accordance with the local regulations.